

# 2000

## MUSTANG

[Buy Now](#)



### DEMO

This DEMO contains only a few pages of the entire manual/product.

Not all Bookmarks work on the Demo, but they do on the full version.

#### Features:

- Searchable text
- Printable pages
- Bookmarked for easy navigation
- High Resolution images
- Zoom to see exact details
- Money back Guarantee
- Available on USB and eBook download



## WIRING DIAGRAMS



Official  
Licensed  
Product

License #84356800

Copyright © 2024, Forel Publishing Company, LLC, Woodbridge, Virginia

All Rights Reserved. No part of this book may be used or reproduced in any manner whatsoever without written permission of Forel Publishing Company, LLC. For information write to Forel Publishing Company, LLC, Woodbridge, VA 22192

## **2000 Mustang Wiring Diagrams**

**EAN: 978-1-60371-435-8**

**ISBN: 1-60371-435-9**

Forel Publishing Company, LLC  
Woodbridge, VA 22192  
Email: [sales@ForelPublishing.com](mailto:sales@ForelPublishing.com)  
<https://www.ForelPublishing.com>



License #84356800

This publication contains material that is reproduced and distributed under a license from Ford Motor Company. No further reproduction or distribution of the Ford Motor Company material is allowed without the express written permission of Ford Motor Company.

---

## **Note from the Publisher**

This product was created from the original Ford Motor Company's publication. Every effort has been made to use the original scanned images, however, due to the condition of the material; some pages have been modified to remove imperfections.

---

## **Disclaimer**

Although every effort was made to ensure the accuracy of this book, no representations or warranties of any kind are made concerning the accuracy, completeness or suitability of the information, either expressed or implied. As a result, the information contained within this book should be used as general information only. The author and Forel Publishing Company, LLC shall have neither liability nor responsibility to any person or entity with respect to any loss or damage caused, or alleged to be caused, directly or indirectly by the information contained in this book. Further, the publisher and author are not engaged in rendering legal or other professional services. If legal, mechanical, electrical, or other expert assistance is required, the services of a competent professional should be sought.

---

**WE WANT TO HEAR FROM YOU**  
*Your suggestions will help us to improve future editions of this manual.*

**Instructions:**

- Use only one form for each publication
  - Use **separate** form for each concern
  - **Do not** use this form to order publications
  - Mail the completed form to the address on the reverse side
- OR**
- FAX the completed form to (313) 390-8727

Date: \_\_\_\_\_

- Publication:**
- |  |  |
|--|--|
| <input type="checkbox"/> Passenger Car Workshop Manual | <input type="checkbox"/> Body Repair Manual    |
| <input type="checkbox"/> Owner Guide                   | <input type="checkbox"/> Truck Workshop Manual |
| <input type="checkbox"/> Wiring Diagram/EVTM           | <input type="checkbox"/> PC/ED Manual          |

**Vehicle Line:** \_\_\_\_\_ **Model Year:** \_\_\_\_\_

**Please check the area in which the concern is located in the publication:**

<input type="checkbox"/> Body	<input type="checkbox"/> Transmission/Transaxle	<input type="checkbox"/> Battery/Charging
<input type="checkbox"/> Frame and Mounting	<input type="checkbox"/> Clutch	<input type="checkbox"/> Audio
<input type="checkbox"/> Engine	<input type="checkbox"/> Exhaust	<input type="checkbox"/> Lighting
<input type="checkbox"/> Suspension	<input type="checkbox"/> Fuel	<input type="checkbox"/> Electrical
<input type="checkbox"/> Driveline	<input type="checkbox"/> Climate Control	<input type="checkbox"/> Schematics
<input type="checkbox"/> Brakes	<input type="checkbox"/> Instrumental Warning	<input type="checkbox"/> Pinpoint Test
<input type="checkbox"/> Steering		

**Section and Pages:** \_\_\_\_\_

**Explain your concern or suggestion below: *(Please print)***

\_\_\_\_\_  
 \_\_\_\_\_  
 \_\_\_\_\_

**What do you think is the main cause of your concern?**

- Missing Information       Inaccurate Information       Incomplete Information

**Please tell us who you are: *(Please print)***

**Your Name:** \_\_\_\_\_

**Company Name:** \_\_\_\_\_

**Street:** \_\_\_\_\_

**City:** \_\_\_\_\_ **State:** \_\_\_\_\_ **Zip/Postal Code:** \_\_\_\_\_

**Phone Number:** \_\_\_\_\_ **FAX Number:** \_\_\_\_\_

**Occupation: *(Please mark box)***

- |  |  |
|--|--|
| <input type="checkbox"/> Ford Dealership Technician              | <input type="checkbox"/> Ford Dealership Service Manager |
| <input type="checkbox"/> Home Mechanic                           | <input type="checkbox"/> Engineer                        |
| <input type="checkbox"/> Technician - Other than Ford Dealership | <input type="checkbox"/> Other: _____                    |

**Are there features of this publication that you would like to see changed or expanded?**

- Organization     Technical Detail     Format and Style     Other: \_\_\_\_\_

**How would you suggest we change the publication?**

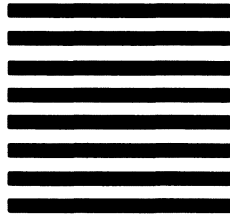
\_\_\_\_\_  
 \_\_\_\_\_

DO NOT STAPLE — USE TRANSPARENT TAPE



NO POSTAGE  
NECESSARY  
IF MAILED  
IN THE  
UNITED STATES

**BUSINESS REPLY MAIL**  
FIRST CLASS      PERMIT NO. 400      DEARBORN, MI



POSTAGE WILL BE PAID BY ADDRESSEE

**Technical Service Publications  
Wiring Diagrams  
P.O. Box 2592  
Dearborn, MI 48123-2592**



# WIRING DIAGRAMS

## FCS-12121-00

### FORD CUSTOMER SERVICE DIVISION

## Quality is Job 1

Ford Customer Service Division has developed a new format for the 2000 Mustang Wiring Diagrams . Our goal is to provide accurate and timely electrical information.

### 2000 Wiring Diagrams Features

- Schematic pages now contain **Component Location** referenmces to full-view illustrations and **Component Descriptions** that describe the system function of a component.
- **"COMPONENT TESTING"** procedures (CELL 149) that tell the user how to perform diagnostic tests on various circuits.
- **Connector End Views** are now located at the end of individual cells and are shown for connectors with five or more cavities; a circuit function chart is provided.
- **NOTES, CAUTIONS and WARNINGS** contain important safety information.
- Full view **"COMPONENT LOCATION VIEWS"** (CELL 151) to help locate on-vehicle components.
- Circuit voltages have been added to schematic pages to help simplify troubleshooting. Nonessential troubleshooting hints have been deleted.
- **Cellular Pagnation:** A specific section (or cell) in all Wiring Diagrams is numbered by cell and starts with page 1. For example: **"HOW TO USE THIS MANUAL"** is CELL 2 and begins with page 2-1.
- **"IN-LINE CONNECTOR FACES"** (CELL 150) has been added for in-line connectors with six or more terminals, to aid in servicing electrical wiring.
- "C" numbers have been assigned for all electrical connectors. "C" numbers are listed in the **"LOCATION INDEX"** (CELL 152).
- **"HARNES CAUSAL PART NUMBERS"** (CELL 153) has been added to aid in identifying warranty concerns.
- **In-line connector numbers** contain a suffix to denote connector "gender" type (F-socket, M-prior blade).

**NOTE:** The descriptions and specifications contained in this manual were in effect at the time this manual was approved for printing. Ford Motor Company reserves the right to discontinue models at any time, or change specifications or design without notice and without incurring any obligation.

### ORDERING INFORMATION

Information about how to order additional copies of this publication or other Ford publications may be obtained by writing to Helm, Incorporated at the address shown below or by calling 1-800-782-4356. Other publications available include:

- Workshop Manuals
- Service Specification Books
- Car/Truck Wiring Diagrams
- Powertrain Control/Emissions Diagnosis Manuals

Helm Incorporated  
P.O. Box 07150  
Detroit, Michigan 48207

All rights reserved. Reproduction by any means, electronic or mechanical, including photocopying, recording, or by any information storage and retrieval system or translation in whole or part is not permitted without written authorization from Ford Motor Company.

Copyright © 2000, Ford Motor Company

# 1-1 TABLE OF CONTENTS/INDEX

2000 MUSTANG

## Table of Contents

How to Use This Manual .....	2-1
Grounds .....	10-1
Fuse Panel/Circuit Protection .....	11-1
Charging System .....	12-1
Power Distribution .....	13-1
Multiplex Communication Network ...	14-1
Starting System .....	20-1
Ignition System .....	21-1
Electronic Engine Controls (3.8L) ....	23-1
Electronic Engine Controls (4.6L 2V) .	24-1
Electronic Engine Controls (4.6L 4V) .	25-1
Transmission Controls (4R70W) .....	29-1
Speed Control .....	31-1
Cooling Fan .....	33-1
Shift Lock .....	37-1
Anti-lock Brake System (ABS) .....	42-1
Horn/Cigar Lighter .....	44-1
Air Bag Restraint System .....	46-1
Air Conditioner/Heater .....	54-1
Rear Window Defrost .....	56-1
Multifunction Electronic	
Control Modules .....	59-1
Instrument Cluster .....	60-1
Warning Chime .....	66-1
Instrument Illumination .....	71-1
Interval Wiper/Washer .....	81-1
Headlamps .....	85-1
Fog Lamps .....	86-1
Courtesy Lamps .....	89-1
Daytime Running Lamps (DRL) .....	97-1
Turn/Stop/Hazard Lamps .....	90-1
Exterior Lamps .....	92-1
Reversing Lamps .....	93-1
Power Windows .....	100-1
Convertible Top .....	102-1
Power Door Locks .....	110-1

Remote Keyless Entry .....	111-1
Anti-Theft .....	112-1
Luggage Compartment	
Lid Release .....	113-1
Power Seats .....	120-1
Power Lumbar Seats .....	122-1
Power Mirrors .....	124-1
Radio .....	130-1
Component Testing .....	149-1
In-Line Connector Faces .....	150-1
Component Location Views .....	151-1
Location Index .....	152-1
Harness Causal Part Number .....	153-1
Vehicle Repair Location Codes .....	160-1

## Index

Air Bag Restraint System .....	46-1
Air Conditioner/Heater .....	54-1
Anti-Lock Brake System (ABS) .....	42-1
Anti-Theft .....	112-1
Battery Junction Box	
ABS 1 .....	13-3
ABS 2 .....	13-3
A/C PRESSURE .....	13-1
ALT .....	13-1
AUDIO .....	13-4
CONV TOP .....	13-3
DRL, FOG .....	13-4
FAN .....	13-1
FUEL PUMP .....	13-1
HD LPS .....	13-2
HORN .....	13-4
HTD BL .....	13-1
IGN SW .....	13-2
I/P .....	13-4
PARK LAMPS .....	13-2
PCM PWR .....	13-2

POWER POINT .....	13-3
POWER SEAT .....	13-4
POWER WINDOWS .....	13-4
THERM .....	13-3
Central Junction Box	
Fuse 1 .....	13-7
Fuse 4 .....	85-1
Fuse 5 .....	13-6
Fuse 6 .....	13-5
Fuse 7 .....	13-7
Fuse 10 .....	85-1
Fuse 11 .....	13-6
Fuse 13 .....	13-7
Fuse 15 .....	13-8
Fuse 17 .....	13-6
Fuse 18 .....	13-5
Fuse 19 .....	13-7
Fuse 20 .....	13-5
Fuse 21 .....	13-8
Fuse 23 .....	13-6
Fuse 24 .....	13-5
Fuse 25 .....	13-8
Fuse 26 .....	13-5
Fuse 27 .....	13-9
Fuse 28 .....	13-5
Fuse 29 .....	13-6
Fuse 30 .....	13-5
Fuse 31 .....	13-8
Fuse 32 .....	13-5
Fuse 33 .....	13-9
Fuse 34 .....	13-5
Fuse 35 .....	90-1
Fuse 36 .....	13-5
Fuse 37 .....	13-13
Fuse 38 .....	85-1
Fuse 39 .....	13-9
Fuse 41 .....	90-1

# TABLE OF CONTENTS/INDEX 1-2

2000 MUSTANG

Fuse 43 .....	13-5	Grounds		Lamps (Exterior)	
Charging System .....	12-1	G101 .....	10-3	Daytime Running .....	97-1
Cigar Lighter .....	44-2	G102 .....	10-1	Exterior .....	92-1
Component Location Views .....	151-1	G103 .....	10-3	Fog .....	86-1
Component Testing		G104 .....	10-2	Hazard .....	90-1
Driver Seat Control Switch .....	149-10	G105 .....	10-2	Headlamps .....	85-1
Exterior Rear View Mirror .....	149-11	G201 .....	10-4	License .....	92-1
Ignition Switch .....	149-2	G203 .....	10-5	Park	
Introduction .....	149-1	G204 .....	10-6	Front .....	92-1
Main Light Switch .....	149-1	G205 .....	10-5	Rear .....	92-1
Master Window/Door Lock		G300 .....	10-9	Reversing .....	93-1
Control Switch .....	149-5, 149-6, 149-7, 149-8	G400 .....	10-7	Side	
Micro ISO Relay .....	149-13	G402 .....	56-1	Front .....	92-1
Mini ISO Relay .....	149-12	Harness Causal Part Numbers .....	153-1	Rear .....	92-1
Multifunction Switch .....	149-3, 149-4	Headlamps .....	85-1	Stop .....	90-3
Right Window/Door Lock		Horn .....	44-1	Turn	
Control Switch .....	149-9	Ignition Switch .....	13-5, 13-6	Front .....	90-2
Convertible Top .....	102-1	Ignition System .....	21-1	Rear .....	90-3
Courtesy Lamps .....	89-1	Indicators		Lamps (Interior)	
Daytime Running Lamps (DRL) .....	97-1	Air Bag .....	60-2	Courtesy .....	89-1
Defrost (Rear Window) .....	56-1	Anti-Lock .....	60-1	Instrument Illumination .....	71-1
Door Locks (Power) .....	110-1	Anti-Theft .....	60-2	Interior .....	89-2, 89-3
Electronic Engine Control (3.8L) .....	23-1	Brake .....	60-2	Luggage Compartment .....	89-4
Electronic Engine Control (4.6L 2V) .....	24-1	Charge .....	60-2	Map .....	89-2, 89-3
Electronic Engine Control (4.6L 4V) .....	25-1	Fasten Belts .....	60-2	Vanity Mirror .....	89-2, 89-3
Exterior Lamps .....	92-1	High Beam .....	60-2	Location Index .....	152-1
Fog Lamps .....	86-1	Left Turn .....	60-2	Luggage Compartment Lid Release ...	113-1
Fuse Panel/Circuit Protection .....	11-1	Low Coolant .....	60-2	Main Light Switch .....	13-13
Gauges		Malfunction Indicator Lamp (MIL)		Mirrors (Power) .....	124-1
Fuel .....	60-1	(Check Engine) .....	60-2	Multiplex Communication Network .....	14-1
Oil Pressure .....	60-1	Right Turn .....	60-2	Power Distribution .....	13-1
Speedometer .....	60-2	Transmission Control Indicator		Power Door Locks .....	110-1
Tachometer .....	60-2	Lamp (TCIL) (OD OFF) .....	60-2	Power Lumbar Seat .....	122-1
Temperature .....	60-2	In-Line Connector Faces .....	150-1	Power Mirrors .....	124-1
Voltmeter .....	60-2	Instrument Cluster .....	60-1	Power Windows .....	100-1
Generic Electronic Module (GEM) .....	59-1	Instrument Illumination .....	71-1	Convertible .....	100-1
		Interval Wiper/Washer .....	81-1	Coupe .....	100-3

# 1-3 TABLE OF CONTENTS/INDEX

2000 MUSTANG

Radio	
Premium Sound .....	130-1
Super Sound .....	130-3
Rear Window Defrost .....	56-1
Remote/Keyless Entry .....	111-1
Reversing Lamps .....	93-1
Seats (Lumbar) .....	122-1
Shift Lock .....	37-1
Speed Control .....	31-1
Starting System .....	20-1
Turn/Stop/Hazard Lamps .....	90-1
Vehicle Repair Location Codes .....	160-1
Warning Chime .....	66-1
Windows (Power) .....	100-1
Wiper/Washer (Interval) .....	81-1

## IMPORTANT SAFETY NOTICE

*Appropriate service methods and proper repair procedures are essential for the safe, reliable operation of all motor vehicles, as well as the personal safety of the individual doing the work. This Manual provides general directions for accomplishing service and repair work with tested, effective techniques. Following them will help assure reliability.*

*There are numerous variations in procedures, techniques, tools, and parts for servicing vehicles, as well as in the skill of the individual doing the work. This Manual cannot possibly anticipate all such variations and provide advice or cautions as to each. Accordingly, anyone who departs from the instructions provided in this Manual must first establish that the choice of methods, tools, or parts does not compromise personal safety or the vehicle integrity.*





# 2-1 HOW TO USE THIS MANUAL

2000 MUSTANG

The purpose of this manual is to show electrical circuits in a clear and simple fashion to make troubleshooting easier. **NOTES**, **CAUTIONS** and **WARNINGS** contain important information.

- **NOTES** describe how switches and other components operate to help complete a particular procedure.
- **CAUTIONS** provide information that could prevent making an error that may damage the vehicle.
- **WARNINGS** provide information to prevent personal injury.

The **WARNINGS** list on page 2-2 contains general warnings to follow when servicing a vehicle.

Components that work together are shown together. All electrical components used in a specific system are shown on one diagram. The circuit breaker or fuse is shown at the top of the page. All wires, connectors, components and splices are shown in the flow of current to ground at the bottom of the page. If a component is used in several different systems, it is shown in several places. For example, the Main Light Switch is electrically a part of many systems and is repeated on many pages.

In some cases, a component may seem (by its name) to belong to a system where it has no electrical connection. For example, Radio Illumination is electrically part of Instrument Illumination, but because it has no electrical connection to the Radio system, it is not shown on the Radio diagram.

Schematic pages contain references to full-view illustrations and description notes for various components. The references are reverse-text blocks located next to each component and connector and refer the user to the appropriate illustration page and zone. The description notes describe the operation of the component.

Schematic pages contain circuit voltages to help simplify troubleshooting hints. 12V is used to imply battery voltage on a component connector terminal, and 0V is used to show that there should be continuity to ground on that particular terminal. Conditional voltages such as “12V with the ignition switch in RUN” will also be provided. Troubleshooting hints that can’t be simplified with circuit voltages will be shown at the end of each cell.

Component connector face information specific to a certain cell is found at the end of that cell. A Connector Face Reference List is provided to locate connector faces that are shown in different cells. Component connectors with five or more terminals are illustrated and are accompanied by a pinout chart that lists the function of all circuitry associated with that component.

“**GROUNDINGS**” (Cell 10) contains ground circuitry shown in complete detail. This information is useful for checking interconnections of the ground circuits of different systems.

“**POWER DISTRIBUTION**” (Cell 13) contains power distribution circuitry shown in complete detail. This section displays how the various fuses are powered and, in turn, how each system is powered.

“**COMPONENT TESTING**” (Cell 149) contains testing procedures for various switches. This information includes schematics, component terminal locations and step-by-step procedures.

“**IN-LINE CONNECTOR FACES**” (Cell 150) contains illustrations of all the in-line connectors that have 6 or more terminals. The terminals have pin numbers assigned to them.

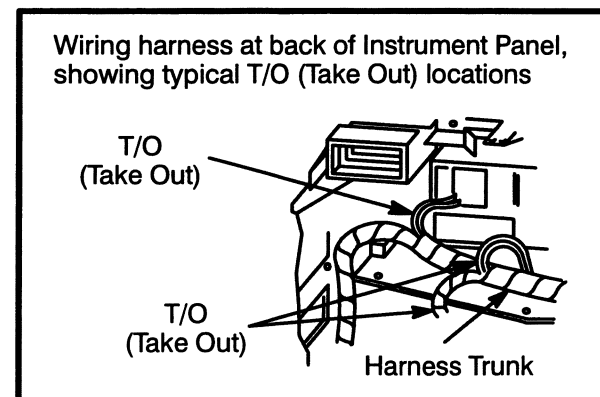
“**COMPONENT LOCATION VIEWS**” (Cell 151) contains full-view illustrations which show the location of components and connectors in the vehicle.

The “**LOCATION INDEX**” (Cell 152) provides the base part numbers, locations, connector face references and illustration references for all components, connectors, splices and grounds.

## HELPFUL REMINDERS

Before using the wiring diagrams for troubleshooting, refer to these **HELPFUL REMINDERS**:

1. The abbreviation T/O, for take out, used in the Location Index (Cell 152), refers to the point at which a group of wires branch off the harness trunk. Refer to the wiring harness illustration.



2. If a connector serves the same purpose in two separate versions (e.g., Automatic/Manual), but is physically different, *two* connector numbers are used. However, if a connector serves the same purpose in two separate versions (e.g., Automatic/Manual) and is physically the same, but the wire colors are different, only *one* connector number is used. If the same physical connector is used more than once, then more than *one* connector number is used.

3. Wiring schematics provide a picture of how and under what conditions the circuit is powered, of the current path to circuit components, and of how a circuit is grounded. Each circuit component is named (underlined titles). Wire and connector colors are listed as follows (standard Ford color abbreviations are used):

## COLOR ABBREVIATIONS

BU	Blue	NA	Natural
BK	Black	OG	Orange
BN	Brown	PK	Pink
DB	Dark Blue	VT	Purple
DG	Dark Green	RD	Red
GN	Green	SR	Silver
GY	Gray	TN	Tan
LB	Light Blue	WH	White
LG	Light Green	YE	Yellow

**Note: Whenever a wire is labeled with two colors, the first color listed is the basic color of the wire, and the second color listed is the stripe marking of the wire.**

4. When reporting Vehicle Repair Location Codes to Ford Customer Service Division, refer to Cell 160 (beginning on page 160-1). Note: Do *not* use the illustrations in Cell 151 (beginning on page 151-1) for reporting Vehicle Repair Location Codes.

## 5. WARNINGS

- *Always wear safety glasses for eye protection.*
- *Use safety stands whenever a procedure requires being under a vehicle.*
- *Be sure that the **Ignition Switch** is always in the OFF position, unless otherwise required by the procedure.*
- *Set the parking brake when working on any vehicle. An automatic transmission should be in PARK. A manual transmission should be in NEUTRAL.*
- *Operate the engine only in a well-ventilated area to avoid danger of carbon monoxide.*
- *Keep away from moving parts, especially the fan and belts, when the engine is running.*
- *To prevent serious burns, avoid contact with hot metal parts such as the radiator, exhaust manifold, tail pipe, catalytic converter and muffler.*
- *Do not allow flame or sparks near the battery. Gases are always present in and around the battery cell. An explosion could occur.*
- *Do not smoke when working on a vehicle.*
- *To avoid injury, always remove rings, watches, loose hanging jewelry and avoid wearing loose clothing.*

## HOW TO FIND ELECTRICAL CONCERNS

### TROUBLESHOOTING STEPS

These six steps present an orderly method of troubleshooting.

#### Step 1. Verify the concern.

- Operate the complete system to check the accuracy and completeness of the customer's complaint.

#### Step 2. Narrow the concern.

- Using the wiring diagrams, narrow down the possible causes and locations of the concern to pinpoint the exact cause.
- Read the description notes at the components and study the wiring schematic. You should then know enough about the circuit operation to determine where to check for the trouble. Further information can be found by referring to the Service Manual pages listed in the box at the top of the page.

#### Step 3. Test the suspected cause.

- Use electrical test procedures to find the specific cause of the symptoms.
- The component location reference bars and the pictures will help you find components. The Location Index (at the end of the manual) gives component location information for connectors, diodes, resistors, splices and grounds.

#### Step 4. Verify the cause.

- Confirm that you have found the correct cause by connecting jumper wires and/or temporarily installing a known good component and operating the circuit.

#### Step 5. Make the repair.

- Repair or replace the inoperative component.

#### Step 6. Verify the repair.

- Operate the system as in Step 1 and check that your repair has removed all symptoms without creating any new symptoms.

## 2-3 HOW TO USE THIS MANUAL

2000 MUSTANG

Some engine circuits may need special test equipment and special procedures. See the *Workshop Manual* and other service books for details. You will find the circuits in this manual to be helpful with those special test procedures.

### TROUBLESHOOTING TOOLS

#### JUMPER WIRE

This is a test lead used to connect two points of a circuit. A Jumper Wire can bypass an open to complete a circuit.

#### WARNING

Never use a jumper wire across loads (motors, etc.) connected between hot and ground. This direct battery short may cause injury or fire.

#### VOLTMETER

A DC Voltmeter measures circuit voltage. Connect negative (- or black) lead to ground, and positive (+ or red) lead to voltage measuring point.

#### OHMMETER

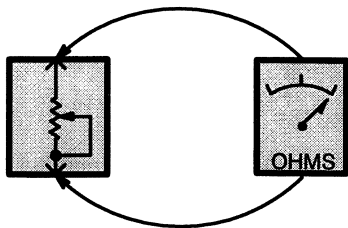


Figure 1 – Resistance Check

An Ohmmeter shows the resistance between two connected points (Figure 1).

#### TEST LAMP

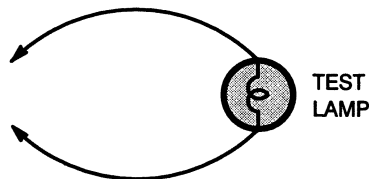


Figure 2 – Test Lamp

A Test Light is a 12-volt bulb with two test leads (Figure 2).

Uses: Voltage Check, Short Check.

#### SELF-POWERED TEST LAMP

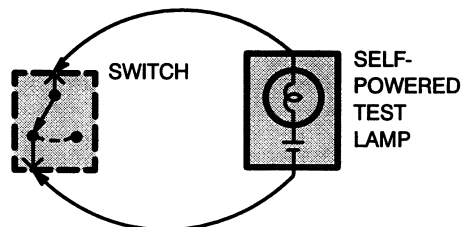


Figure 3 – Continuity Check

The Self-Powered Test Lamp is a bulb, battery and set of test leads wired in series (Figure 3). When connected to two points of a continuous circuit, the bulb glows.

Uses: Continuity Check, Ground Check.

#### CAUTION

When using a self-powered test lamp or ohmmeter, be sure power is off in circuit during testing. Hot circuits can cause equipment damage and false readings.

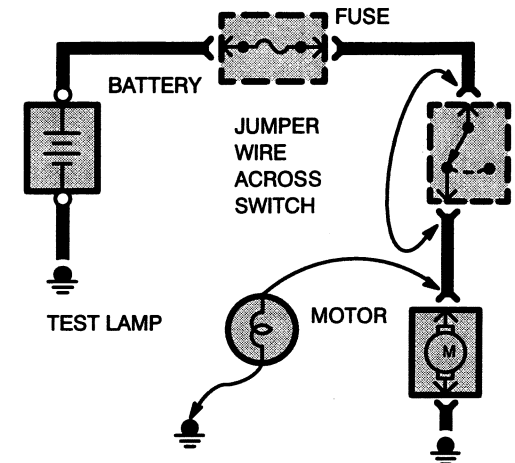


Figure 4 – Switch Circuit Check and Voltage Check

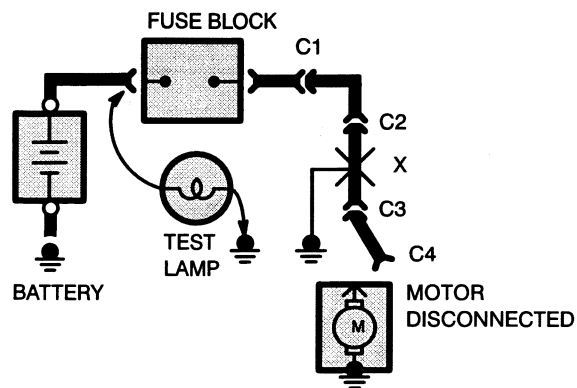
In an inoperative circuit with a switch in series with the load, jumper the terminals of the switch to power the load. If jumpering the terminals powers the circuit, the switch is inoperative (Figure 4).

#### CONTINUITY CHECK (Locating open circuits)

Connect one lead of Self-Powered Test Lamp or Ohmmeter to each end of circuit (Figure 3). Lamp will glow if circuit is closed. Switches and fuses can be checked in the same way.

## VOLTAGE CHECK

Connect one lead of test lamp to a known good ground or the negative (-) battery terminal. Test for voltage by touching the other lead to the test point. Bulb goes on when the test point has voltage (Figure 4).



**Figure 5 – Short Check**

A fuse that repeatedly blows is usually caused by a short to ground. It's important to be able to locate such a short quickly (Figure 5).

1. Turn off everything powered through the fuse.
2. Disconnect other loads powered through the fuse:
  - Motors: disconnect motor connector (Connector C4 in Figure 5).
  - Lights: remove bulbs.
3. Turn Ignition Switch to RUN (if necessary) to power fuse.

4. Connect one Test Lamp lead to hot end of blown fuse. Connect other lead to ground. Bulb should glow, showing power to fuse. *(This step is just a check to be sure you have power to the circuit.)*

5. Disconnect the test lamp lead that is connected to ground, and reconnect it to the load side of the fuse at the connector of the disconnected component. (In Figure 5, connect the test lamp lead to connector C4.)

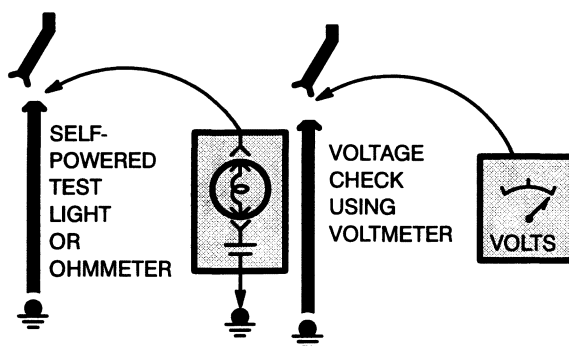
- If the Test Lamp is off, the short is in the disconnected component.
- If the Test Lamp goes on, the short is in the wiring. You must find the short by disconnecting the circuit connectors, one at a time, until the Test Lamp goes out. For example, in Figure 5 with a ground at X, the bulb goes out when C1 or C2 is disconnected, but not after disconnecting C3. This means the short is between C2 and C3.

Turn on power to the circuit. Perform a Voltage Check between the suspected inoperative ground and the frame. Any indicated voltage means that the ground is inoperative (Figure 6).

Turn off power to the circuit. Connect one lead of a Self-Powered Test Lamp or Ohmmeter to the wire in question and the other lead to a known ground. If the bulb glows, the circuit ground is OK (Figure 6).

The circuit schematics in this manual make it easy to identify common points in circuits. This knowledge can help narrow the concern to a specific area. For example, if several circuits fail at the same time, check for a common power or ground connection (see *Power Distribution or Grounds*). If part of a circuit fails, check the connections between the part that works and the part that doesn't work.

For example, if the lo beam headlights work, but the high beams and the indicator lamp don't work, then power and ground paths must be good. Since the dimmer switch is the component that switches this power to the high beam lights and indicator, it is most likely the cause of failure.



**Figure 6 – Ground Check**

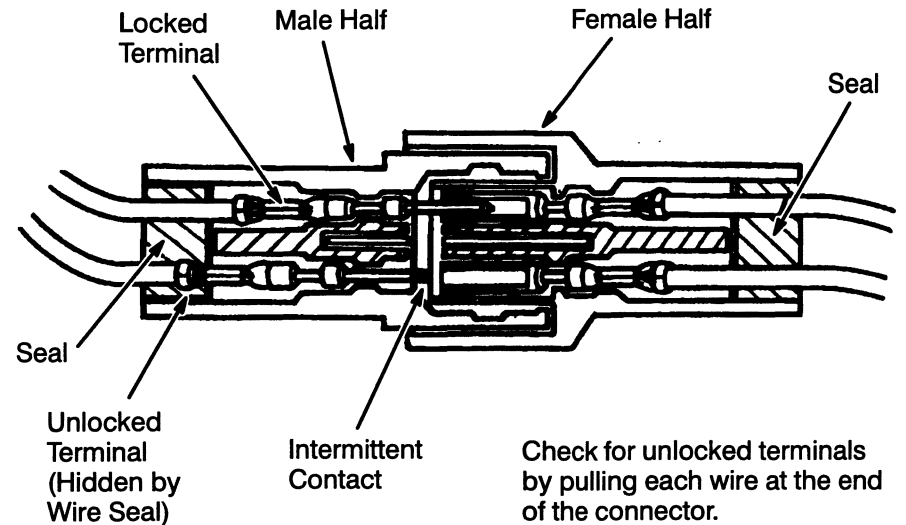
# 2-5 HOW TO USE THIS MANUAL

2000 MUSTANG

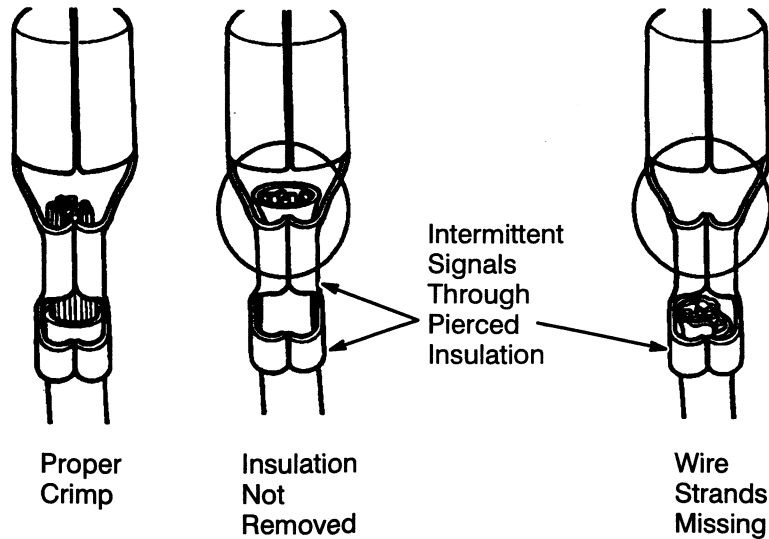
## TROUBLESHOOTING WIRING HARNESS AND CONNECTOR HIDDEN CONCERNS

The following illustrations are known examples of wiring harness, splices and connectors that will create intermittent electrical concerns. The concerns are hidden and can only be discovered by a physical evaluation as shown in each illustration.

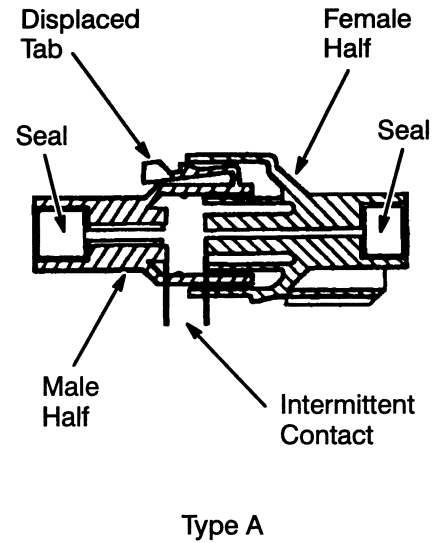
NOTE: Several components, such as the PCM, utilize gold plated terminals in their connections to the wiring harness. If those terminals need to be replaced, they must be replaced with a gold plated terminal.



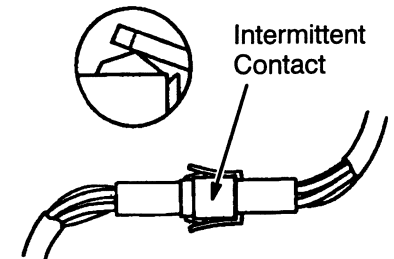
## TERMINAL NOT PROPERLY SEATED



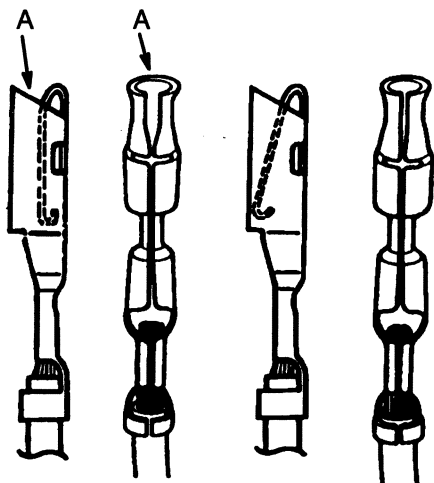
## DEFECTIVE INSULATION STRIPPING



Lock may be displaced into an unlocked position; pull on the connector to verify the lock.



## PARTIALLY MATED CONNECTORS



Enlarged

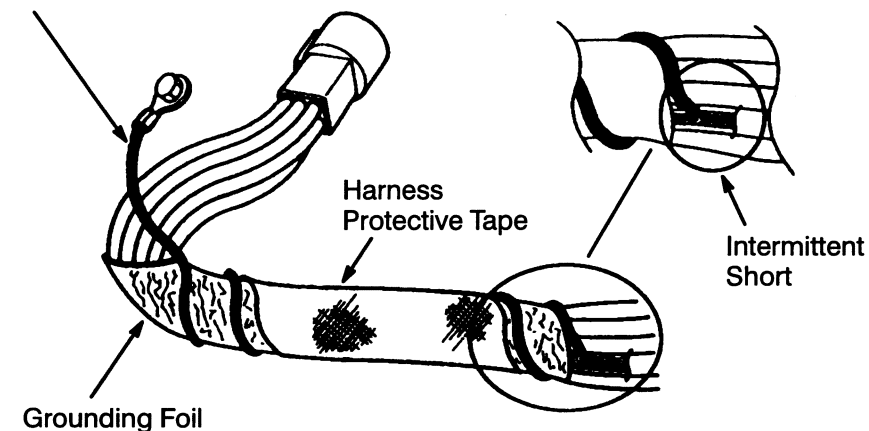
Normal

Any probe entering the terminal may enlarge the contact spring opening creating an intermittent signal. Insert the correct mating terminal (Location A) from the service kit and feel for a loose fit.

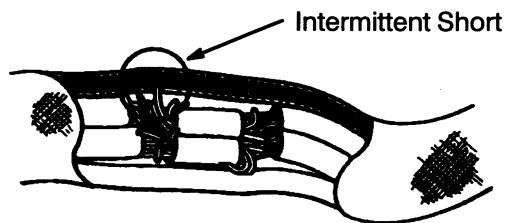
## DEFORMED (ENLARGED) FEMALE TERMINALS

Solder Coated Wire to Ground

Solder coated wire pierced through the insulation of another circuit.



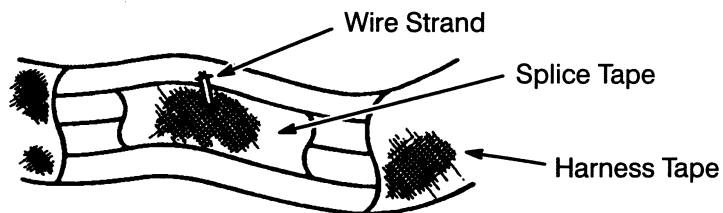
## ELECTRICAL SHORT INSIDE THE HARNESS



Intermittent Short

Splice Tape Removed

Operate the system and flex the harness at splice location noted in Section 152.



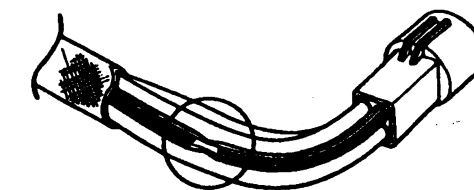
Wire Strand

Splice Tape

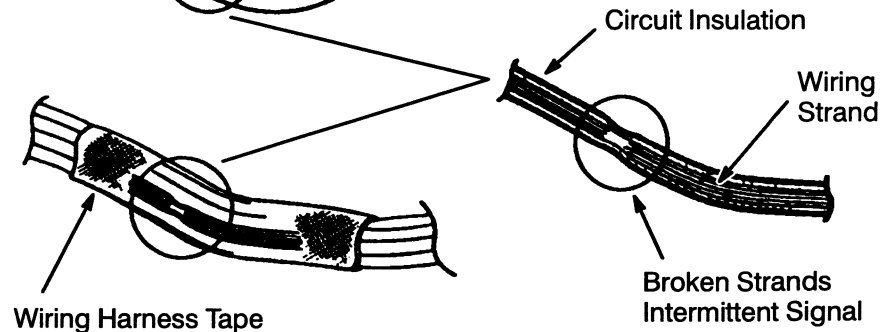
Harness Tape

Splice Covered

## ELECTRICAL SHORT WITHIN THE HARNESS



Remove the tape and flex/feel each circuit for a reduction in diameter at break.



Wiring Harness Tape

Circuit Insulation

Wiring Strand

Broken Strands Intermittent Signal

## BROKEN WIRE STRANDS IN HARNESS

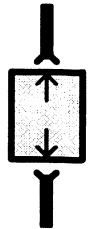
# 2-7 HOW TO USE THIS MANUAL

2000 MUSTANG

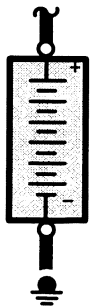
## ELECTRICAL SYMBOLS



**DASHED COMPONENT BOX**  
ONLY PART OF THE COMPONENT IS SHOWN ON THE PAGE; THE COMPONENT IS SHOWN COMPLETE IN ANOTHER LOCATION



**COMPONENT WITH CONNECTORS**



**BATTERY**



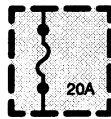
**SCREW TERMINAL ON COMPONENT**



**SEALED ELECTRONIC COMPONENT**  
ANY CIRCUITRY SHOWN INSIDE THE BOX IS A FUNCTIONAL EQUIVALENT ONLY AND IS NOT EXACT



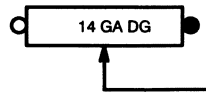
**GROUND CONNECTION**



**FUSE**

**CURRENT RATING**

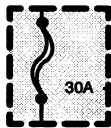
20A



**FUSIBLE LINK**

**WIRE SIZE AND COLOR**

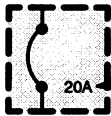
14 GA DG



**MAXI-FUSE or FUSIBLE LINK CARTRIDGE**

**CURRENT RATING**

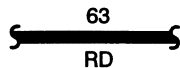
30A



**CIRCUIT BREAKER**

**CURRENT RATING**

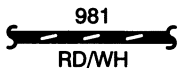
20A



**SOLID WIRES**

63

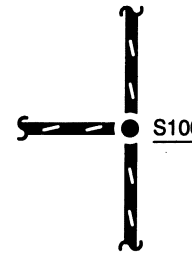
RD



**STRIPED WIRES**

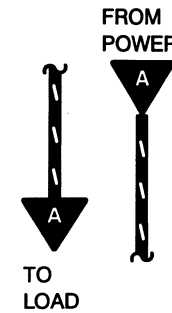
981

RD/WH



**SPLICE OR CRIMP TERMINAL**

S100



**"CUT" WIRES REFERENCED BETWEEN PAGES**  
ARROWS SHOW CURRENT FLOW FROM POWER TO GROUND

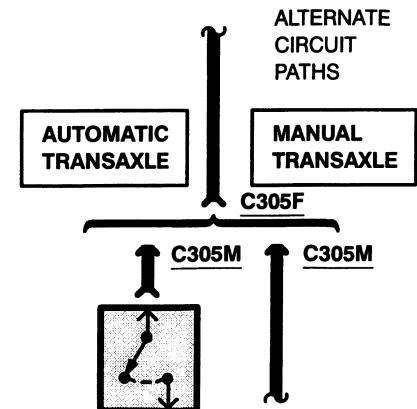
FROM POWER

TO LOAD



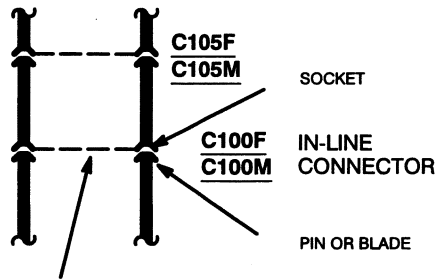
**REVERSING LAMPS**

**"REFERENCE" WIRES**  
COMPLETE WIRING SHOWN ON ANOTHER PAGE



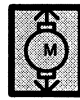
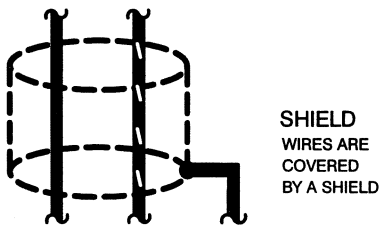
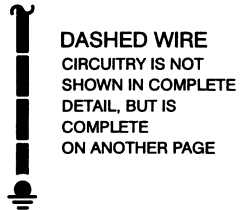


## ELECTRICAL SYMBOLS



SINGLE DASHED LINE INDICATES THAT WIRE ON LEFT ALSO PASSES THROUGH THE SAME CONNECTOR

**SEE GROUNDS**  
PAGES 10-1,  
10-2



MOTOR



HEATING ELEMENT



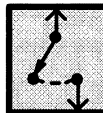
THERMISTOR



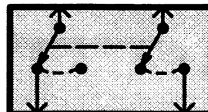
RHEOSTAT OR POTENTIOMETER



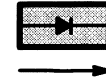
SOLENOID



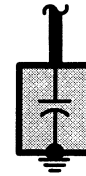
SWITCH



GANGED SWITCHES CONTACTS MOVE AT THE SAME TIME



DIODES CURRENT FLOWS IN DIRECTION OF ARROW ONLY



CAPACITOR



TRANSISTOR



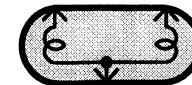
GAUGE



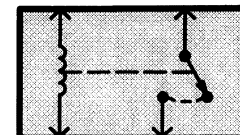
LIGHT EMITTING DIODE (LED)



LIGHT BULB



DUAL FILAMENT LIGHT BULB

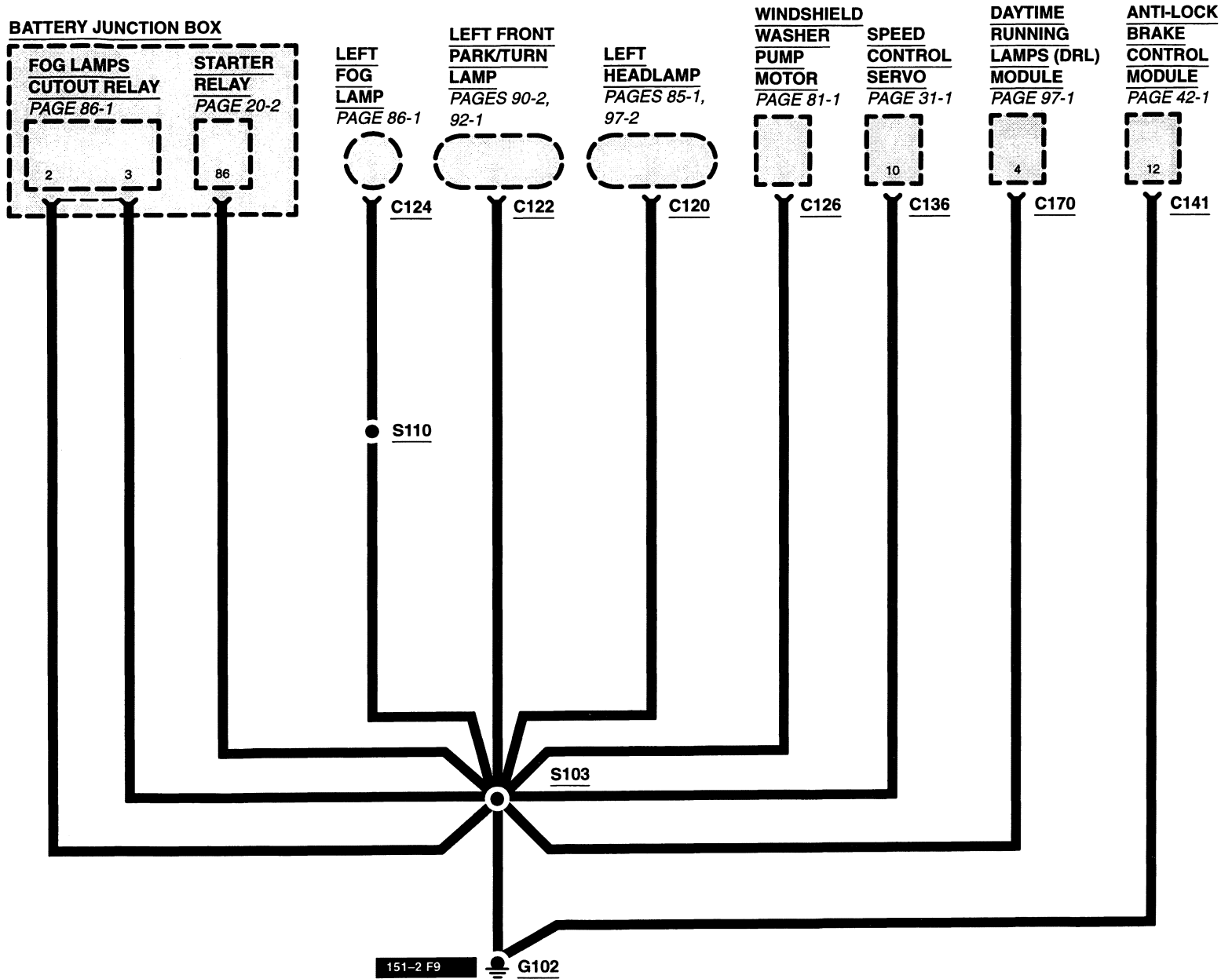


RELAY CONTACTS CHANGE POSITION WITH CURRENT THROUGH COIL

# 10-1 GROUNDS

2000 MUSTANG

All wires are  
1205 (BK)  
unless other-  
wise noted.



All wires are 1205 (BK) unless otherwise noted.

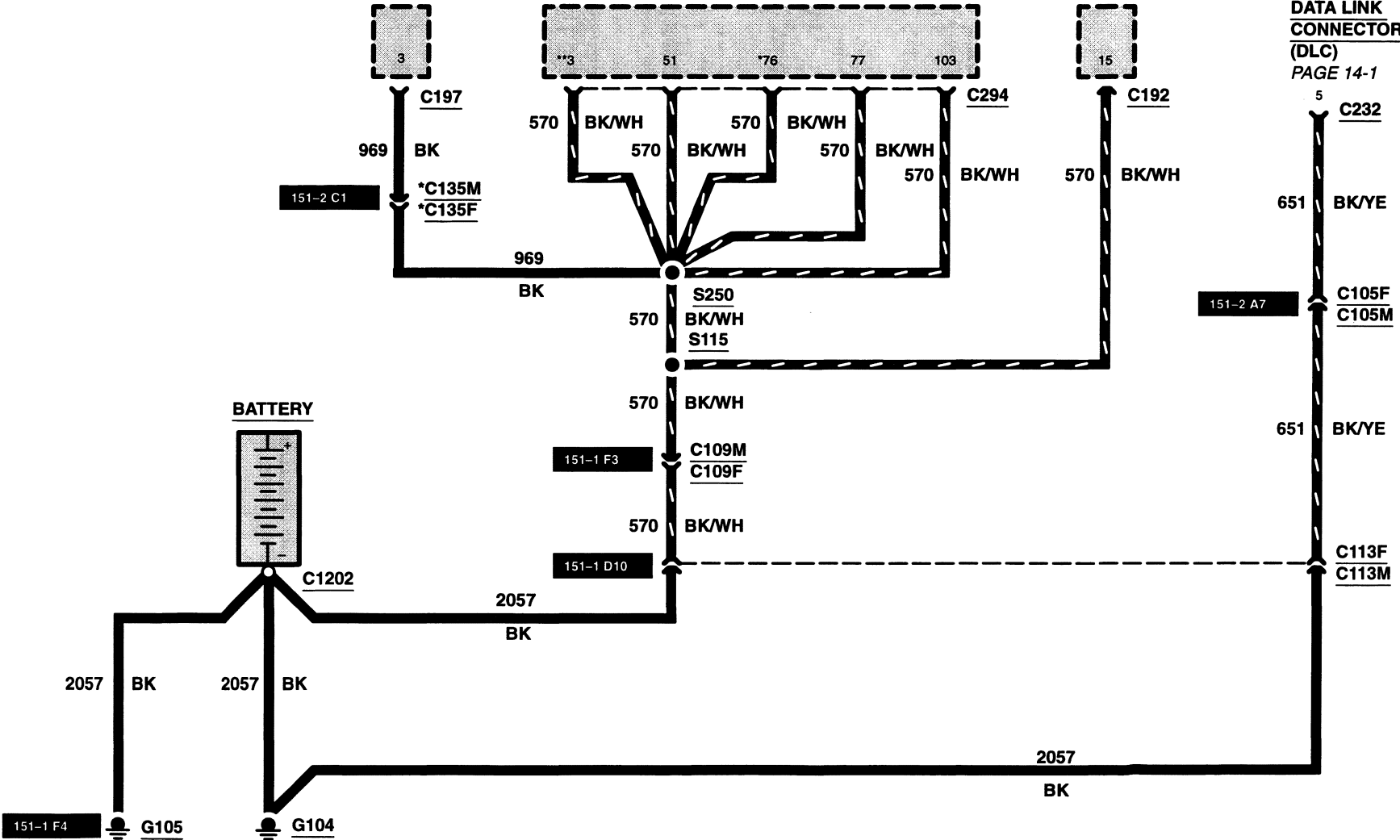
\* 3.8L  
\*\* 4.6L

**MASS AIR FLOW (MAF) SENSOR**  
PAGES 23-1, 24-1, 25-1

**POWERTRAIN CONTROL MODULE (PCM)**  
PAGES 23-1, 24-1, 25-1

**CONSTANT CONTROL RELAY MODULE (CCRM)**  
PAGES 23-9, 24-9, 25-9

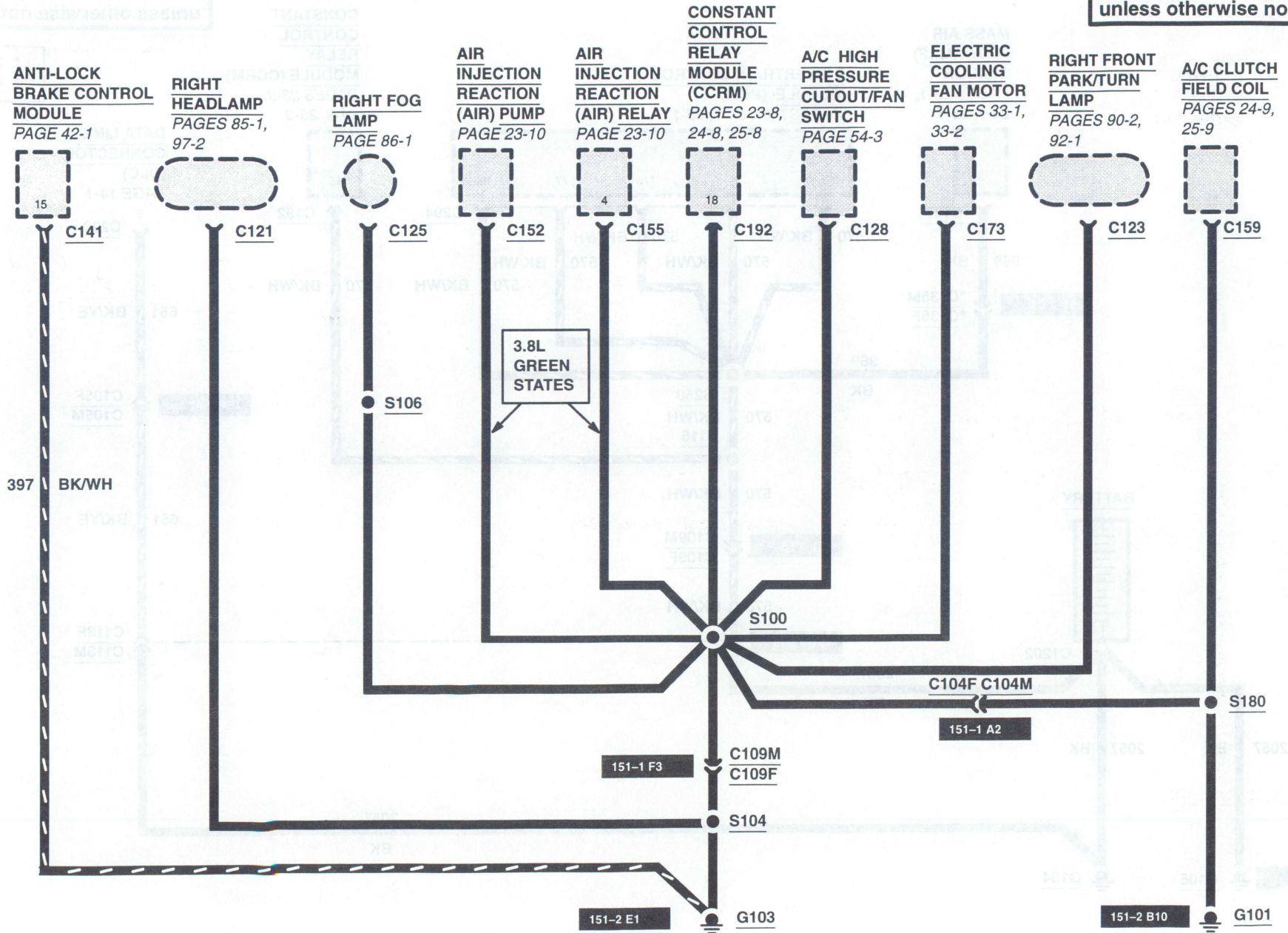
**DATA LINK CONNECTOR (DLC)**  
PAGE 14-1



# 10-3 GROUNDS

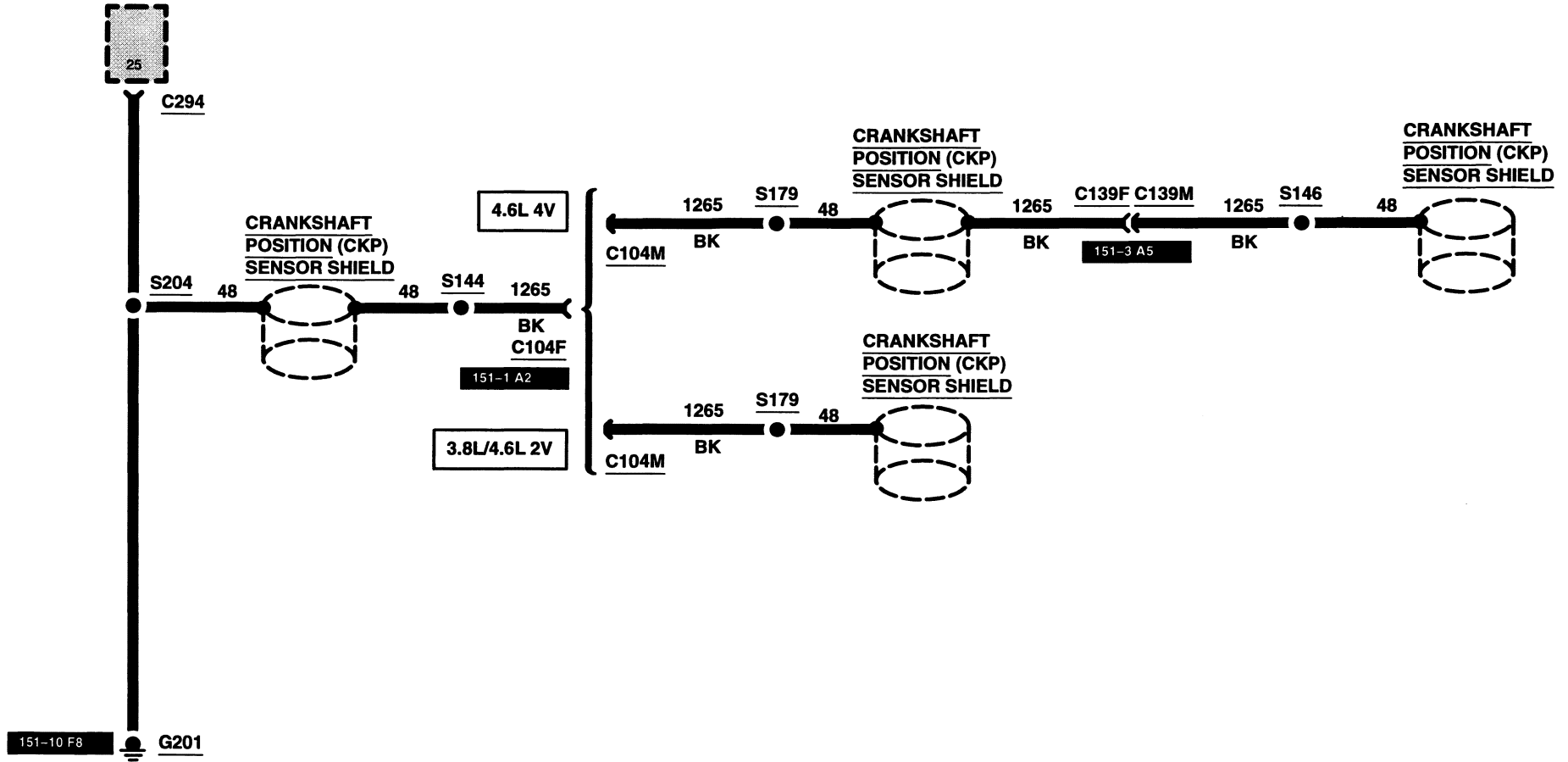
2000 MUSTANG

All wires are 1205 (BK) unless otherwise noted.



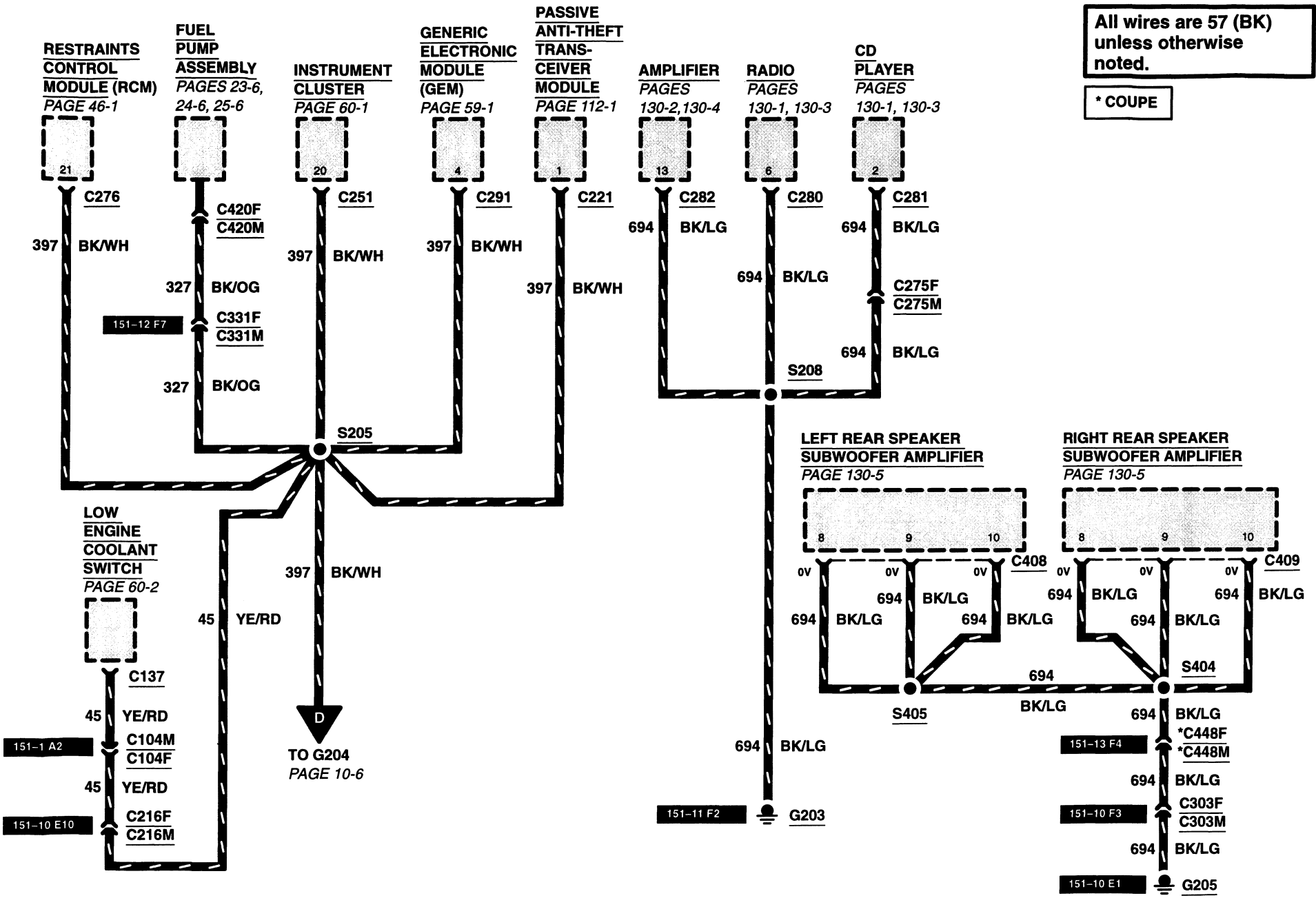
All wires are 1205 (BK) unless otherwise noted.

POWERTRAIN CONTROL MODULE (PCM) PAGES 23-1, 24-1, 25-1

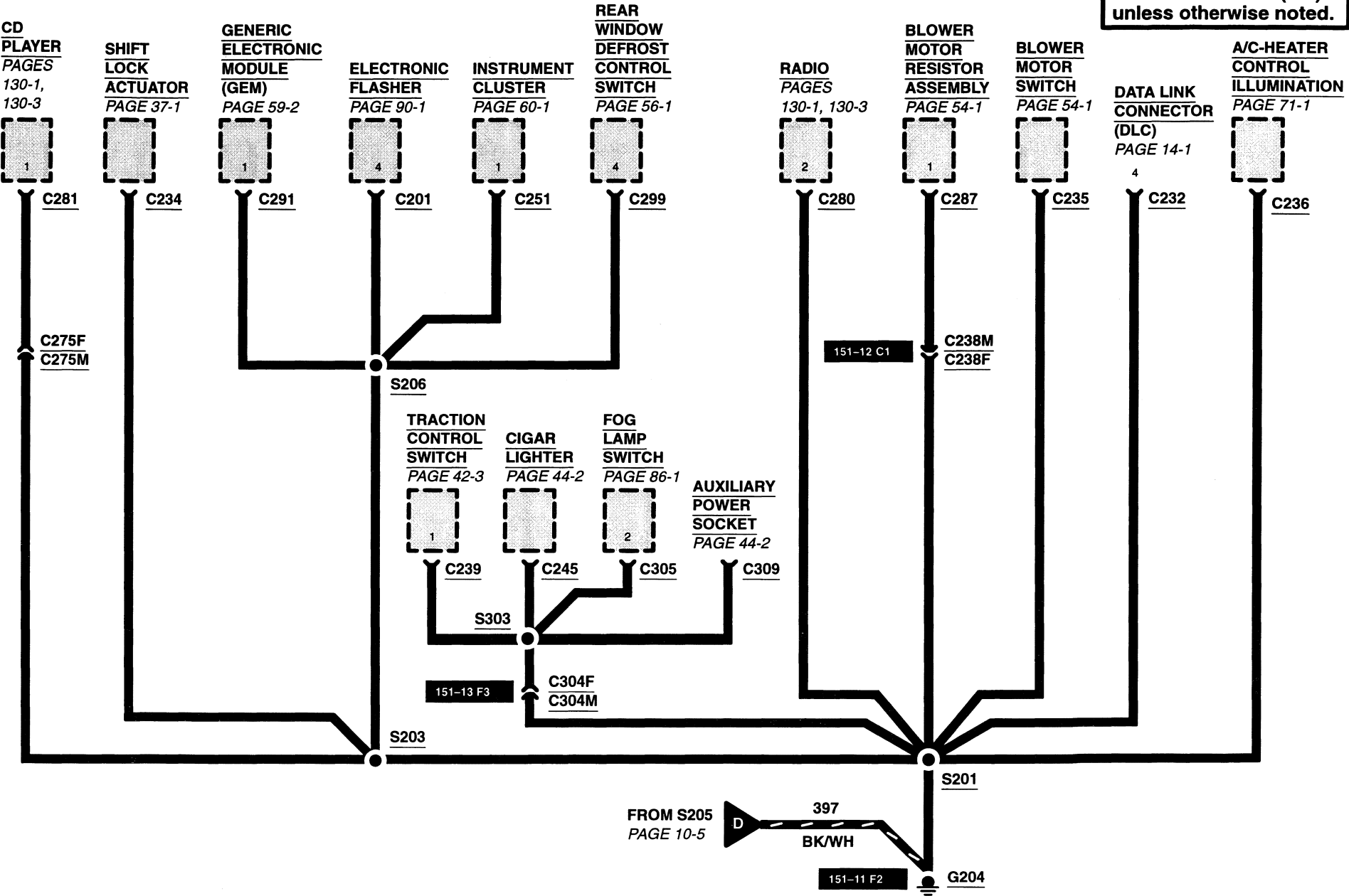


# 10-5 GROUNDS

2000 MUSTANG



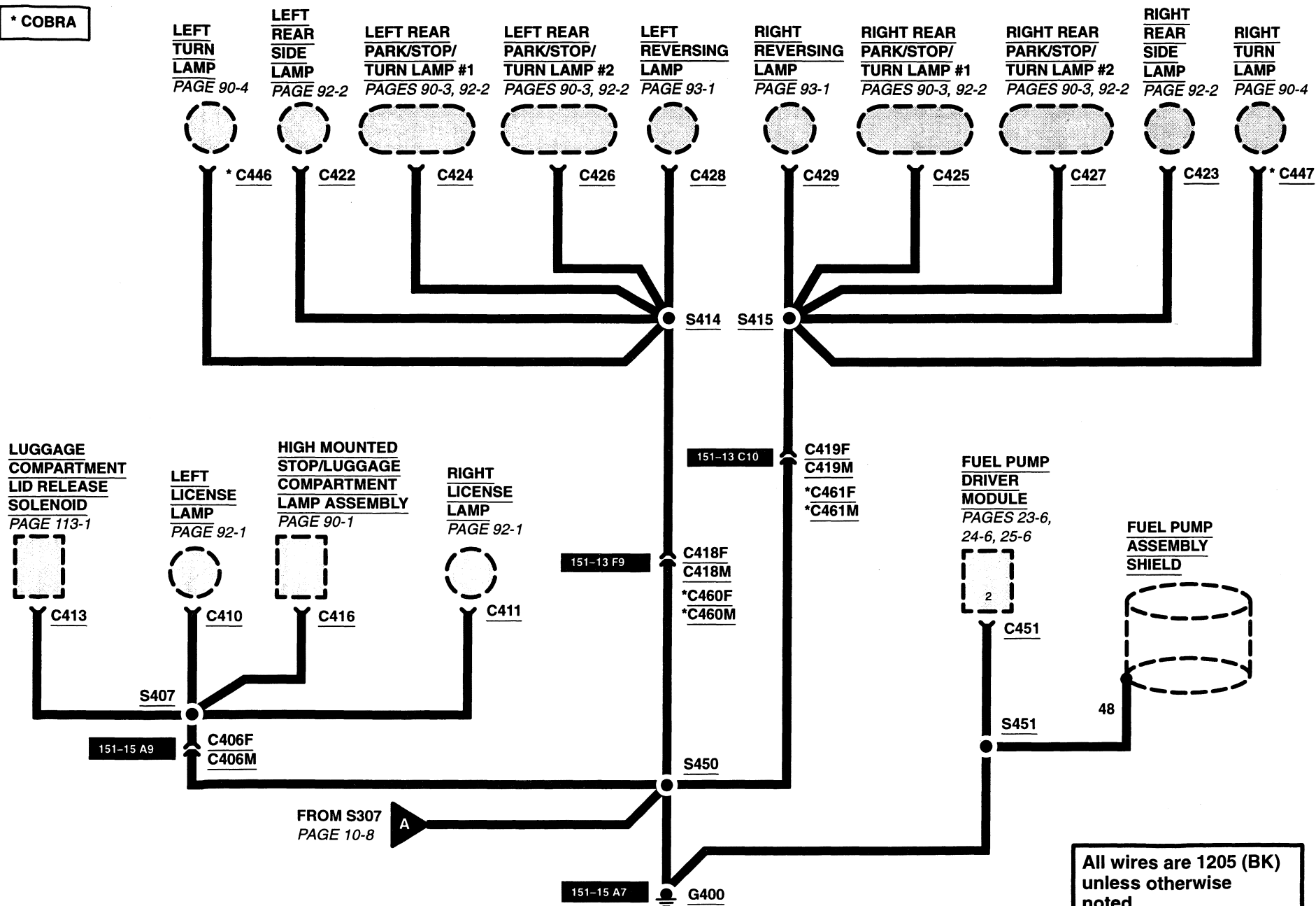
All wires are 1205 (BK) unless otherwise noted.



# 10-7 GROUNDS

2000 MUSTANG

\* COBRA

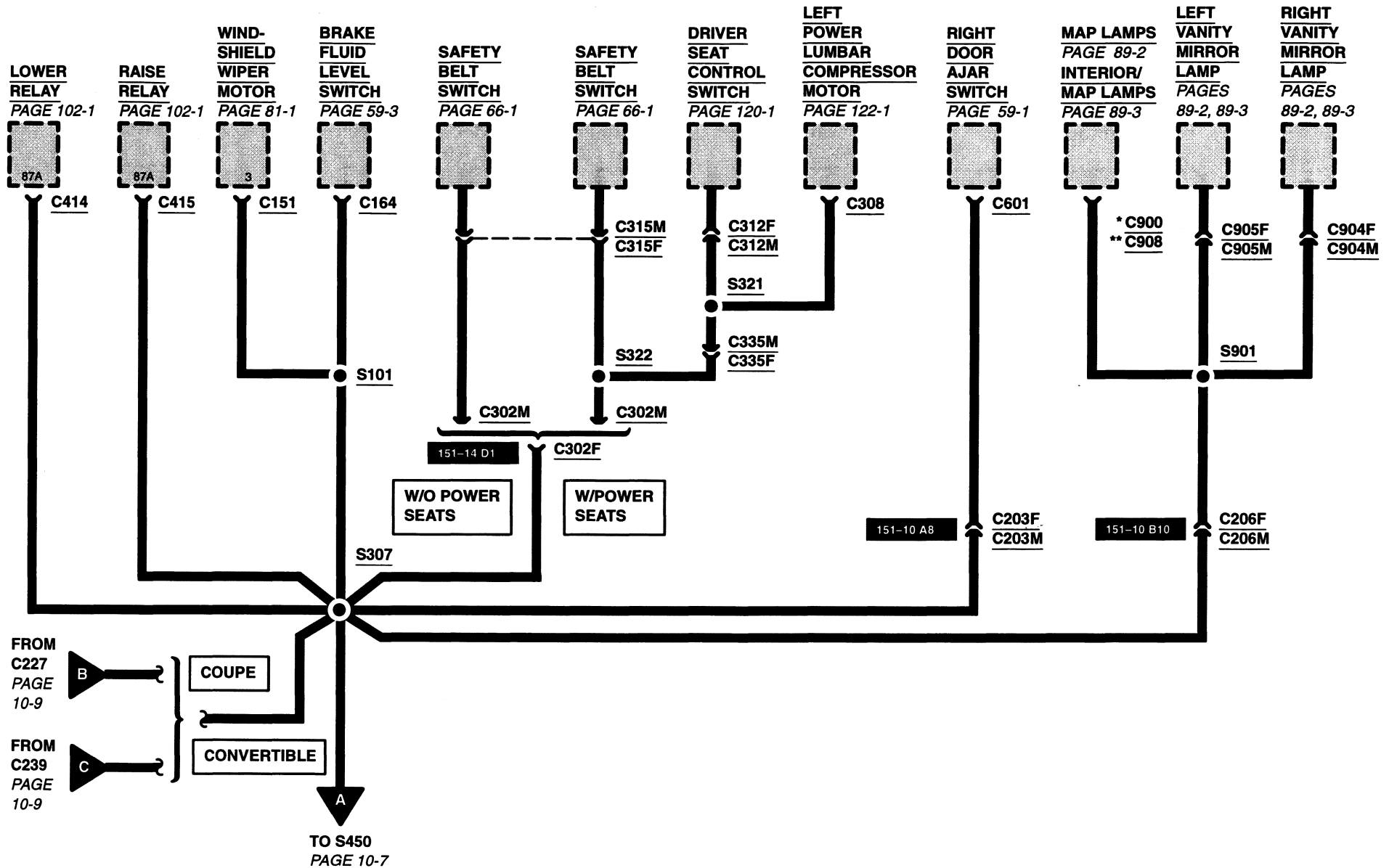


All wires are 1205 (BK) unless otherwise noted.



\* COUPE  
\*\* CONVERTIBLE

All wires are 1205 (BK) unless otherwise noted.



**WE WANT TO HEAR FROM YOU**  
*Your suggestions will help us to improve future editions of this manual.*

**Instructions:**

- Use only one form for each publication
- Use separate form for each concern
- **Do not** use this form to order publications
- Mail the completed form to the address on the reverse side  
**OR**
- FAX the completed form to (313) 390-8727

Date: \_\_\_\_\_

- Publication:**
- |  |  |
|--|--|
| <input type="checkbox"/> Passenger Car Workshop Manual<br><input type="checkbox"/> Owner Guide<br><input type="checkbox"/> Wiring Diagram/EVTM | <input type="checkbox"/> Body Repair Manual<br><input type="checkbox"/> Truck Workshop Manual<br><input type="checkbox"/> PC/ED Manual |
|--|--|

Vehicle Line: \_\_\_\_\_

Model Year: \_\_\_\_\_

**Please check the area in which the concern is located in the publication:**

<input type="checkbox"/> Body <input type="checkbox"/> Frame and Mounting <input type="checkbox"/> Engine <input type="checkbox"/> Suspension <input type="checkbox"/> Driveline <input type="checkbox"/> Brakes <input type="checkbox"/> Steering	<input type="checkbox"/> Transmission/Transaxle <input type="checkbox"/> Clutch <input type="checkbox"/> Exhaust <input type="checkbox"/> Fuel <input type="checkbox"/> Climate Control <input type="checkbox"/> Instrumental Warning	<input type="checkbox"/> Battery/Charging <input type="checkbox"/> Audio <input type="checkbox"/> Lighting <input type="checkbox"/> Electrical <input type="checkbox"/> Schematics <input type="checkbox"/> Pinpoint Test
--	--	--

**Section and Pages:** \_\_\_\_\_

**Explain your concern or suggestion below: (Please print)**

\_\_\_\_\_  
 \_\_\_\_\_  
 \_\_\_\_\_

**What do you think is the main cause of your concern?**

- Missing Information     
  Inaccurate Information     
  Incomplete Information

**Please tell us who you are: (Please print)**

Your Name: \_\_\_\_\_

Company Name: \_\_\_\_\_

Street: \_\_\_\_\_

City: \_\_\_\_\_ State: \_\_\_\_\_ Zip/Postal Code: \_\_\_\_\_

Phone Number: \_\_\_\_\_ FAX Number: \_\_\_\_\_

**Occupation: (Please mark box)**

- |   |  |
|---|--|
| <input type="checkbox"/> Ford Dealership Technician<br><input type="checkbox"/> Home Mechanic<br><input type="checkbox"/> Technician - Other than Ford Dealership | <input type="checkbox"/> Ford Dealership Service Manager<br><input type="checkbox"/> Engineer<br><input type="checkbox"/> Other: _____ |
|---|--|

**Are there features of this publication that you would like to see changed or expanded?**

- Organization     
  Technical Detail     
  Format and Style     
  Other: \_\_\_\_\_

**How would you suggest we change the publication?**

\_\_\_\_\_  
 \_\_\_\_\_

DO NOT STAPLE — USE TRANSPARENT TAPE



NO POSTAGE  
NECESSARY  
IF MAILED  
IN THE  
UNITED STATES

<b>BUSINESS REPLY MAIL</b>		
FIRST CLASS	PERMIT NO. 400	DEARBORN, MI



POSTAGE WILL BE PAID BY ADDRESSEE

**Technical Service Publications  
Wiring Diagrams  
P.O. Box 2592  
Dearborn, MI 48123-2592**



Better ideas, driven by you.



TECHNICAL  
SUPPORT OPERATIONS  
Ford Customer Service Division

AUGUST 1999

LITHO IN U.S.A.  
AD-304



FCS-12121-00