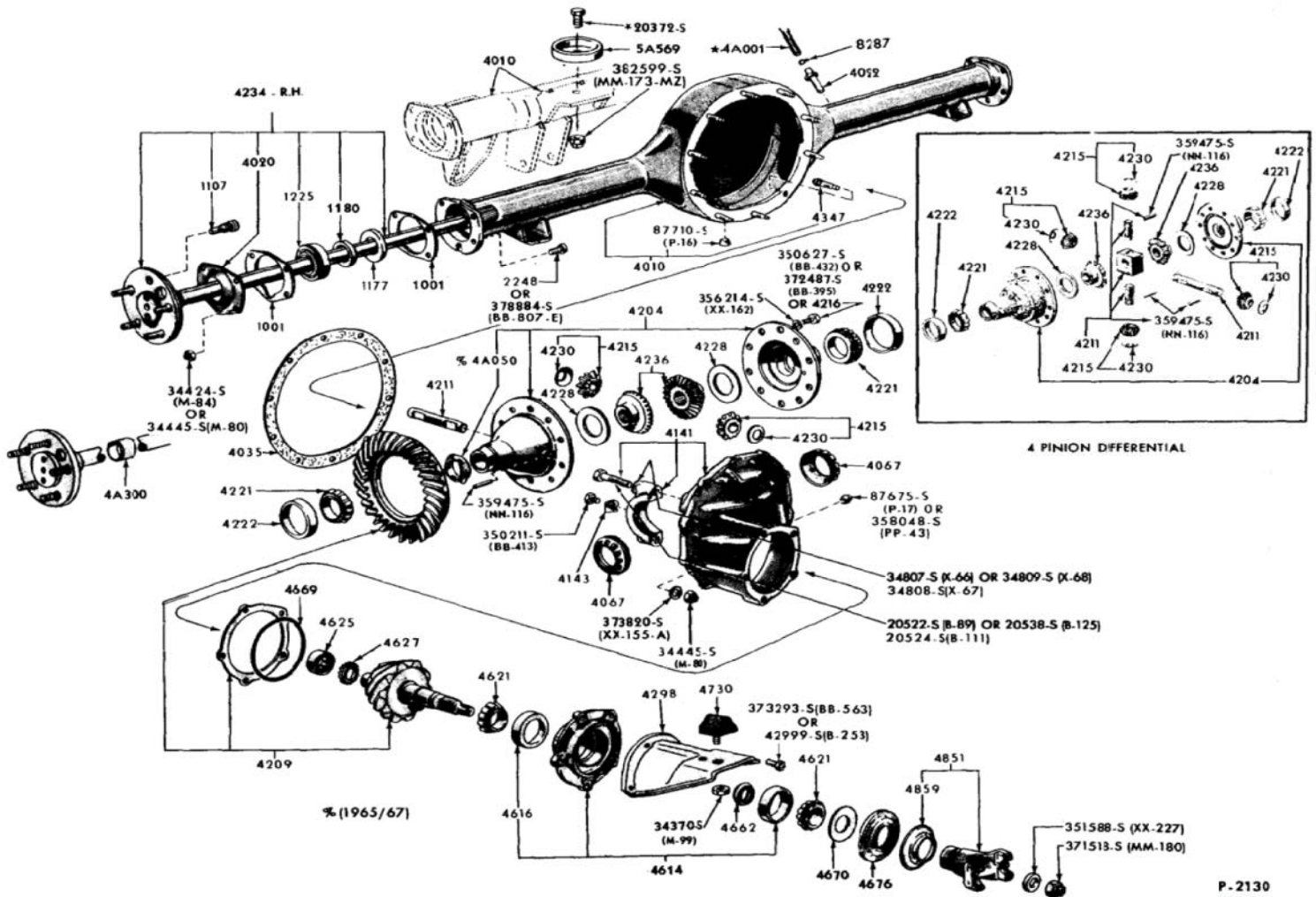


# 1970 Mustang

## Part & Body Illustrations



Includes Shelby GT 350 / 500



Copyright © 2009, Forel Publishing Company, LLC, Woodbridge, Virginia

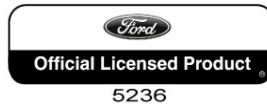
All Rights Reserved. No part of this book may be used or reproduced in any manner whatsoever without written permission of Forel Publishing Company, LLC. For information write to Forel Publishing Company, LLC, 3999 Peregrine Ridge Ct., Woodbridge, VA 22192

1970 Mustang Part and Body Illustrations

EAN: 978-1-60371-038-1

ISBN: 1-60371-038-8

*Forel Publishing Company, LLC*  
*3999 Peregrine Ridge Ct.*  
*Woodbridge, VA 22192*  
*Email address: [webmaster@ForelPublishing.com](mailto:webmaster@ForelPublishing.com)*  
*Website: <http://www.ForelPublishing.com>*



This publication contains material that is reproduced and distributed under a license from Ford Motor Company. No further reproduction or distribution of the Ford Motor Company material is allowed without the express written permission of Ford Motor Company.

---

## **Note from the Editor**

This product was compiled using original Ford Motor Company publications. The contents of this product were extracted from: 1965/72 Ford Car Master Parts and Accessory Catalog (FP-7635- A and FP-7635- B).

---

## **Disclaimer**

Although every effort was made to ensure the accuracy of this book, no representations or warranties of any kind are made concerning the accuracy, completeness or suitability of the information, either expressed or implied. As a result, the information contained within this book should be used as general information only. The author and Forel Publishing Company, LLC shall have neither liability nor responsibility to any person or entity with respect to any loss or damage caused, or alleged to be caused, directly or indirectly by the information contained in this book. Further, the publisher and author are not engaged in rendering legal or other professional services. If legal, mechanical, electrical, or other expert assistance is required, the services of a competent professional should be sought.

---

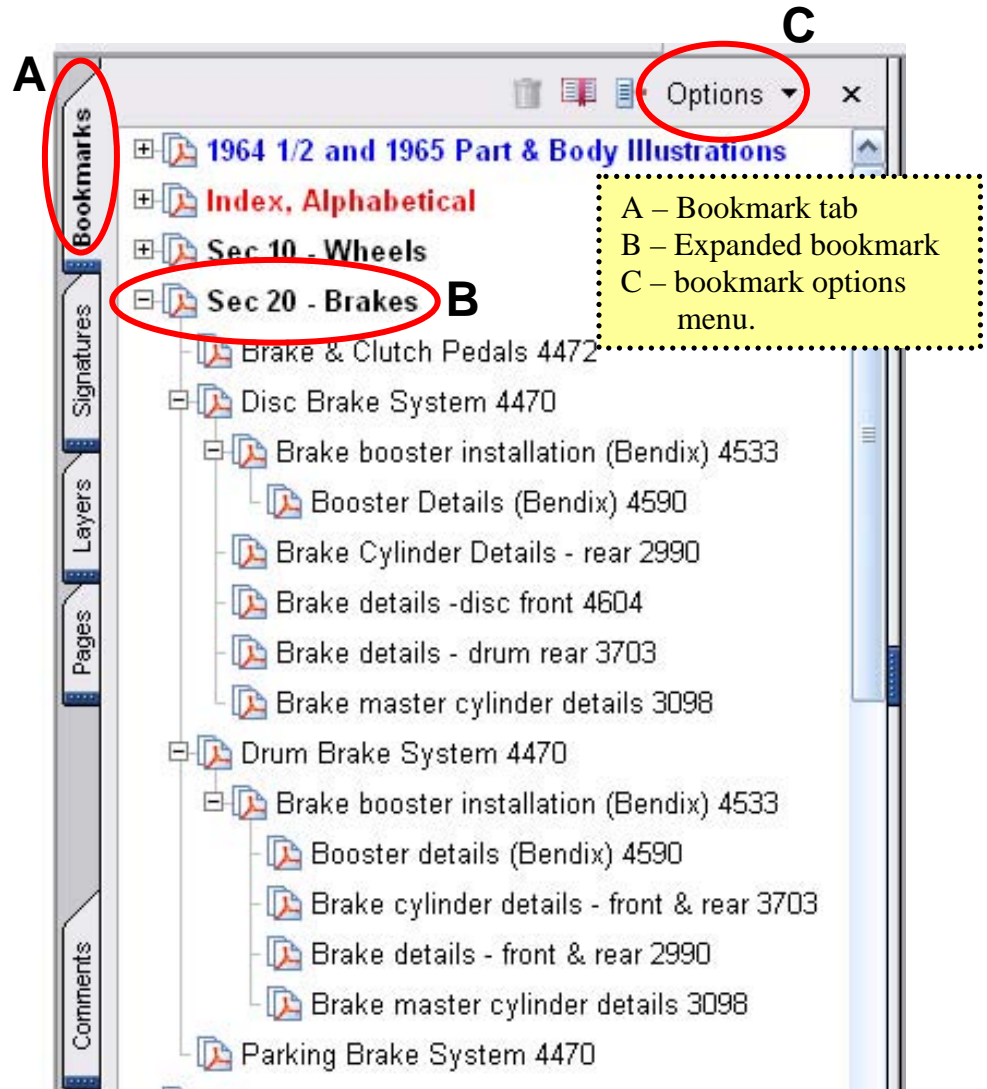
## Navigating with bookmarks

This manual is primarily organized using “bookmarks”. Bookmarks are found on the left side of the screen and allow the user to navigate directly to a specific location within the document.

To browse using a bookmark:

1. Click the Bookmarks tab on the left side of the window, or choose view>Navigation Tabs>Bookmarks to display bookmarks.
2. To jump to a topic using its bookmark, click the bookmark. Click the plus sign (+) next to a parent bookmark to expand it. Click the minus sign (-) next to a bookmark to hide its children.

Note: Clicking a bookmark might perform an action instead of taking you to another location. It depends on how the bookmark was defined. For example, a hyperlinked bookmark could take you to a website.



If the list of bookmarks disappears when you click a bookmark, click the Bookmarks tab to display the list again. If you want the Bookmarks tab to always remain open after you click a bookmark, click the Options menu at the top of the Bookmarks panel, and make sure Hide After Use is not selected.

## Basic Manual Organization

---

This manual is organized in three ways: **Illustration Number, Groupings by Sections** and **Alphabetical**.

### Illustration Number:

Each illustration has its own illustration number. For example, the illustration for Brake & Clutch Pedals is illustration number “P-4472” and the illustration for the Brake Cylinder Details is “P-2990”. The pages of this book are arranged in illustration number order. Therefore, illustration 4473 would follow 2990.

**Note:** Illustrations are in numerical, not alphabetical order.

### Groupings by Sections:

The grouping of diagrams by “section” is similar to how the Ford Motor Company originally organized its Master Parts and Accessories Catalog which contained both illustrations and part numbers to identify parts. For example, **Section 20 – Brakes** groups most brake related parts for this vehicle.

This manual uses bookmarks to follow that same organization and uses the same terms Ford used to identify the diagrams. In addition, the diagram number has been added to the end of the description. For example, **“Disc Brake System 4470”** is the basic name of the diagram and the diagram number is 4470. For the bookmarks and index’s in this manual, the “P-“ has been omitted.

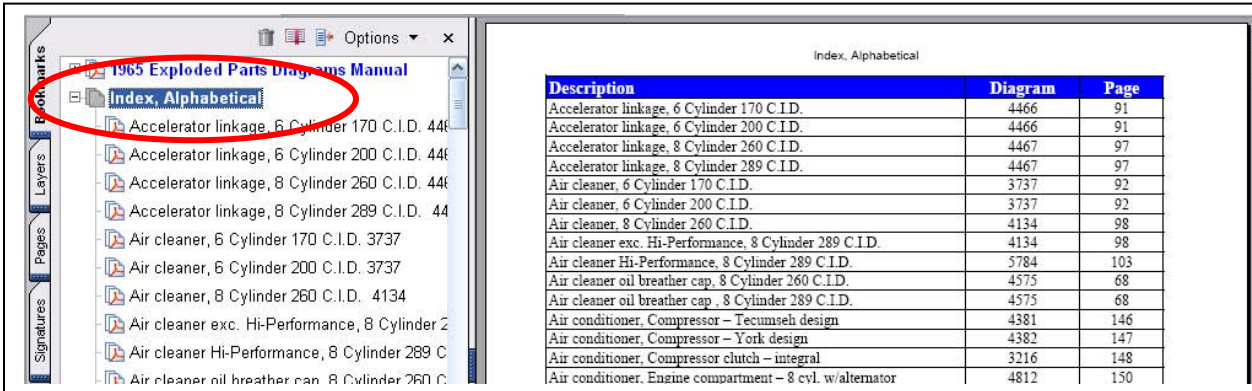
#### Sec 20 - Brakes

- Brake & Clutch Pedals 4472
- Disc Brake System 4470
  - Brake booster installation (Bendix) 4533
    - Booster Details (Bendix) 4590
- Brake Cylinder Details - rear 2990
- Brake details -disc front 4604
- Brake details - drum rear 3703
- Brake master cylinder details 3098
- Drum Brake System 4470
  - Brake booster installation (Bendix) 4533
    - Booster details (Bendix) 4590
  - Brake cylinder details - front & rear 2990
  - Brake details - front & rear 2990
  - Brake master cylinder details 3098
- Parking Brake System 4470

The grouping of diagrams by number is useful in finding most diagrams related to a major group.

## Alphabetical:

The alphabetical listing is a simple alphabetized listing of all diagrams. In some cases, if the diagram contained more than one major component, the diagram may be identified more than once. Expand the “Index, Alphabetical” bookmark to view details. The associated page contains the description, diagram number and page number for easy reference.



The screenshot shows a software interface with a bookmarked index. The bookmarked index is titled "1965 Exploded Parts Diagrams Manual" and contains a sub-item "Index, Alphabetical". The main window displays a table titled "Index, Alphabetical" with three columns: "Description", "Diagram", and "Page".

| Description   | Diagram | Page |
|---|---------|------|
| Accelerator linkage, 6 Cylinder 170 C.I.D.                | 4466    | 91   |
| Accelerator linkage, 6 Cylinder 200 C.I.D.                | 4466    | 91   |
| Accelerator linkage, 8 Cylinder 260 C.I.D.                | 4467    | 97   |
| Accelerator linkage, 8 Cylinder 289 C.I.D.                | 4467    | 97   |
| Air cleaner, 6 Cylinder 170 C.I.D.                        | 3737    | 92   |
| Air cleaner, 6 Cylinder 200 C.I.D.                        | 3737    | 92   |
| Air cleaner, 8 Cylinder 260 C.I.D.                        | 4134    | 98   |
| Air cleaner exc. Hi-Performance, 8 Cylinder 289 C.I.D.    | 4134    | 98   |
| Air cleaner Hi-Performance, 8 Cylinder 289 C.I.D.         | 5784    | 103  |
| Air cleaner oil breather cap, 8 Cylinder 260 C.I.D.       | 4575    | 68   |
| Air cleaner oil breather cap, 8 Cylinder 289 C.I.D.       | 4575    | 68   |
| Air conditioner, Compressor - Tecumseh design             | 4381    | 146  |
| Air conditioner, Compressor - York design                 | 4382    | 147  |
| Air conditioner, Compressor clutch - integral             | 3216    | 148  |
| Air conditioner, Engine compartment - 8 cyl. w/alternator | 4812    | 150  |

**Note:** Illustrations are in numerical, not alphabetical order.

Index, Numerical Order  
1970 Mustang Part and Body Illustrations

| Number | Description  | Page |
|--------|--|------|
| 1246   | Oil filters - cartridge type   | 22   |
| 2130   | Rear Axle Non-Locking (separate carrier)   | 23   |
| 2384   | Oil filters - spin-on type   | 24   |
| 2476   | Oil Pump – 390, 427, 428 CID Engine  | 25   |
| 2485   | Valves, push rods, and rocker arm cover – 390, 427, 428 CID Engine                   | 26   |
| 2486   | Oil Filters - spin-on type and adapter   | 27   |
| 2487   | Piston and connecting rods – 390, 427, 428 CID Engine                                | 28   |
| 2488   | Crankshaft and flywheel  | 29   |
| 2881   | Cylinder Block, 8 Cyl., 352, 390, 427, 428 CID                                       | 30   |
| 2962   | Water Pumps, 6 cyl. - 200, 250 engines   | 31   |
| 2963   | Oil pump, 6 Cylinder 200, 250 C.I.D.   | 32   |
| 2964   | Camshaft, gear and bearings, 6 Cylinder 200, 250 C.I.D.                              | 33   |
| 3088   | Cylinder block, 6 Cylinder 200, 250 C.I.D.   | 34   |
| 3089   | Valves, push rods and rocker arm cover, 6 Cylinder                                   | 35   |
| 3090   | Piston and connecting rod, 6 Cylinder 200, 250 C.I.D.                                | 36   |
| 3118   | Front and rear wheel, hub, & bearing   | 37   |
| 3125   | Springs, Rear Suspension   | 38   |
| 3137   | Shock absorber - rear  | 39   |
| 3144   | Drive Shaft  | 40   |
| 3147   | Cooling Systems, 6 & 8 Cyl. Engines  | 41   |
| 3191   | Starter and Drive Assy. – Positive Engagement  | 42   |
| 3216   | Air conditioner, Compressor clutch (integral)  | 43   |
| 3627   | Transmission Automatic, Vacuum throttle valve, lines and fittings - typical          | 44   |
| 3703   | Brake details - drum rear  | 45   |
| 3726   | Valves, push rods and rocker arm cover, 6 Cyl and 8 Cyl 260, 289,302,351,400,429,460 | 46   |
| 3727   | Cylinder head, valves, and related parts, 8 Cyl.                                     | 47   |
| 3732   | Piston and connecting rod, 6 Cyl and 8 Cyl 260, 289,302,351,400,429,460 C.I.D.       | 48   |
| 3733   | Camshaft, gear and bearings, 8 Cylinder Engines                                      | 49   |
| 3734   | Crankshaft and flywheel, 8 Cylinder Engines  | 50   |
| 3736   | Oil pump, 8 Cylinder 260, 289,302,351,400,429,460 C.I.D.                             | 51   |
| 3742   | Intake manifold & related parts, 8 Cylinder 289 CID Engine                           | 52   |
| 3906   | Brake Cylinder Details - front & rear  | 53   |
| 4012   | Transmission, Manual, 3 Speed manual trans 3.03 type                                 | 54   |
| 4180   | Cylinder Details   | 55   |

Index, Numerical Order  
1970 Mustang Part and Body Illustrations

| <b>Number</b> | <b>Description</b>  | <b>Page</b> |
|---------------|---|-------------|
| 4326          | Transmission C4 Type, Case, converter assy., extension, pump - typical            | 56          |
| 4327          | Transmission C4 Type, Clutches, gears, shafts, rear support - typical             | 57          |
| 4328          | Transmission C4 Type, Servo and band, front - typical                             | 58          |
| 4329          | Transmission C4 Type, Servo and band, rear - typical                              | 59          |
| 4330          | Transmission C4 Type, Parking pawl, throttle and manual control linkage - typical | 60          |
| 4381          | Air conditioner, Compressor (Tecumseh design)                                     | 61          |
| 4382          | Air conditioner, Compressor ( York design)  | 62          |
| 4389          | Rocker arm cover type-open system, 6 Cylinder 200                                 | 63          |
| 4424          | Transmission, Manual, Ford 4 speed  | 64          |
| 4507          | Transmission C4 Type, Main control valve body assy. (Basic 7A100) - typical       | 65          |
| 4508          | Alternator (Ford 15 volt-38, 42, 45, 55, 60 amp)                                  | 66          |
| 4592          | Emission Reduction System, rocker arm cover type-open system                      | 67          |
| 4721          | Rear Axle, Locking - Dapco no-spin-9" ring gear (separate carrier)                | 68          |
| 4735          | Courtesy lamp – quarter panel mounted   | 69          |
| 4862          | Transmission Automatic, bushings  | 70          |
| 4878          | Camshaft, gear and bearings   | 71          |
| 4899          | Crankshaft and flywheel, 6 Cylinder 200, 250 C.I.D.                               | 72          |
| 4924          | Distributor (8 cylinder – with stamped weights)                                   | 73          |
| 5009          | Exhaust air supply pump   | 74          |
| 5143          | Water Pumps, 8 cyl. - 289, 302, 351W engine (with cover)                          | 75          |
| 5172          | Transmission C6 Type, Case, converter assy., extension, pump - typical            | 76          |
| 5173          | Transmission C6 Type, Clutches, gears, shafts - typical                           | 77          |
| 5174          | Transmission C6 Type, Servo and band - typical                                    | 78          |
| 5176          | Transmission C6 Type, Main control valve body assy. (Basic 7A100) - typical       | 79          |
| 5191          | Transmission C6 Type, Parking pawl, throttle and manual control linkage - typical | 80          |
| 5302          | Rocker arm cover type - 4/B carb. Open system                                     | 81          |
| 5320          | Carburetor - Holley 4V  | 82          |
| 5394          | Alternator (Ford 15 volt - 65 amp)  | 83          |
| 5457          | Carburetor - Ford 4V - without external accel pump                                | 84          |
| 5466          | Sheet Metal - under body 1967/70 body type 63, 1967/69 body type 65               | 85          |
| 5518          | Brake Master Cylinder details   | 86          |
| 5525          | Voltage Regulator (Ford 15 volt, negative ground)                                 | 87          |
| 5526          | Starter Drive (Ford 12 volt – positive engagement)                                | 88          |
| 5615          | Steering, Power steering pump details   | 89          |

Index, Numerical Order  
1970 Mustang Part and Body Illustrations

| Number | Description  | Page |
|--------|--|------|
| 5625   | Engine Supports, 6 Cyl. and 8 Cyl. Engines   | 90   |
| 5626   | Engine Supports – 390, 427, 428 CID Engine   | 91   |
| 5627   | Handles and latch parts (front door)   | 92   |
| 5633   | Thermostatic Choke Control   | 93   |
| 5634   | Latch parts (Luggage Compartment)  | 94   |
| 5723   | Cooling System - 390, 427, 428, 429 CID Engine   | 95   |
| 5741   | Alternator (Leece Neville 15 volt-53, 60, 65 amp)                                      | 96   |
| 5773   | Mirror - remote control  | 97   |
| 5787   | Rear seat folding - body type 63   | 98   |
| 5788   | Rear seat fixed - body type 63   | 99   |
| 5796   | Rear Axle Equa Lock (integral carrier) and Non-Locking (integral carrier)              | 100  |
| 5801   | Air Conditioner - engine compartment - integral 8 cyl. 390, 428                        | 101  |
| 5825   | Distributor (6 Cylinder 250 Engine)  | 102  |
| 5952   | Starter and Solenoid (Ford 12 volt - positive engagement)                              | 103  |
| 5959   | Steering linkage, Manual   | 104  |
| 6209   | Carburetor - Carter - Thermostatic choke   | 105  |
| 6218   | Brake Details, disc front  | 106  |
| 6221   | Air Cleaner - 6 Cylinder   | 107  |
| 6224   | Air Cleaner - exc. Ram Air   | 108  |
| 6432   | Thermostatic Choke Control System  | 109  |
| 6440   | Door Bumpers, rubber   | 110  |
| 6459   | Rear Axle, Locking (Traction Lok)  | 111  |
| 6462   | Transmission FMX type - Case, converter assy., extension, pump, rear support - typical | 112  |
| 6463   | Transmission FMX type - Clutches, gears, shafts, extension - typical                   | 113  |
| 6464   | Transmission FMX type - Servo and band, front - typical                                | 114  |
| 6465   | Transmission FMX type - Servo and band, rear - typical                                 | 115  |
| 6466   | Transmission FMX type - Main control valve body assy. (Basic 7A100) - typical          | 116  |
| 6470   | Transmission FMX type - Oil pressure regulator assy. (Basic 7A139) - typical           | 117  |
| 6471   | Transmission FMX type - Parking pawl, throttle and manual control linkage - typical    | 118  |
| 6472   | Transmission FMX type - Oil pressure tubes installation - typical                      | 119  |
| 6475   | Air Conditioner - engine compartment - integral 6 cyl. 200, 250                        | 120  |
| 6476   | Air Conditioner - engine compartment - integral, 8 cyl. 302, 351                       | 121  |
| 6492   | Water Pump - 8 cyl. 351C, 400, 429, 460 engines  | 122  |
| 6540   | Stereo tape player - hang-on   | 123  |

Index, Numerical Order  
1970 Mustang Part and Body Illustrations

| Number | Description  | Page |
|--------|--|------|
| 6619   | Air Cleaner - 8 cylinder - Ram Air - fixed type - Cobra Jet Engine         | 124  |
| 6642   | Heater, Force Ventilation System   | 125  |
| 6643   | Air Conditioner Controls - Integral  | 126  |
| 6644   | Air Conditioner - passenger compartment - integral                         | 127  |
| 6645   | Air Conditioner - vacuum hoses - integral                                  | 128  |
| 6650   | Hood - except Shelby GT350 / 500   | 129  |
| 6657   | Instrument Panel, Wiring - except GT 350 / 500                             | 130  |
| 6658   | Instrument Cluster and Related Parts                                       | 131  |
| 6659   | Instrument Panel and related parts   | 132  |
| 6664   | Bumper, front - except Shelby GT 350 / 500                                 | 133  |
| 6716   | Sheet Metal - body type 63 - upper body                                    | 134  |
| 6731   | Bumper, rear   | 135  |
| 6732   | Window parts - quarter window - body type 63                               | 136  |
| 6733   | Window parts - quarter window - body type 65, 76                           | 137  |
| 6737   | Console - except Shelby GT350/500  | 138  |
| 6738   | Luggage Carrier - luggage compartment mounted - removable                  | 139  |
| 6740   | Windshield - body types 63, 65   | 140  |
| 6741   | Windshield - body types 76   | 141  |
| 6754   | Brake, Disc and Drum System  | 142  |
| 6755   | Brake, Parking Brake System  | 143  |
| 6756   | Clutch and Brake Pedals  | 144  |
| 6788   | Back Belt Mouldings - body type 76   | 145  |
| 6789   | Back Window - body type 63   | 146  |
| 6790   | Back Window - body type 65   | 147  |
| 6794   | Gear Shift Mechanism, Transmission - console or floor mtd - 3 speed trans. | 148  |
| 6802   | Transmission Automatic, Shift control selector mechanism, Automatic        | 149  |
| 6808   | Roof side mouldings and weatherstrips - body type 65                       | 150  |
| 6809   | Headrest, Front Seat   | 151  |
| 6816   | Window parts - front door  | 152  |
| 6845   | Interior Trim parts - body type 63 - w/fixed rear seat                     | 153  |
| 6846   | Interior Trim parts - body type 65   | 154  |
| 6847   | Interior Trim parts - body type 76   | 155  |
| 6848   | Interior Trim parts - body type 63 - w/folding rear seat                   | 156  |
| 6867   | Windshield Washer and wipers   | 157  |
| 6867-B | Windshield wiper and washer  | 158  |

Index, Numerical Order  
1970 Mustang Part and Body Illustrations

| Number | Description   | Page |
|--------|---|------|
| 6869   | Seat Belt and Parking Brake Warning Lamp Installation                   | 159  |
| 6888   | Air Cleaner - 8 cylinder - Ram Air - shaker type - Cobra Jet Engine     | 160  |
| 6889   | Air Cleaner - Cobra Jet - exc. Ram Air                                  | 161  |
| 6895   | Convertible Top Electrical System                                       | 162  |
| 6896   | Accelerator Linkage - 6 Cylinder, 200, 250 CID Engines                  | 163  |
| 6897   | Accelerator Linkage   | 164  |
| 6906   | Steering, Power Steering Linkage  | 165  |
| 6918   | Hood - Shelby GT350 / 500   | 166  |
| 6919   | Headlamp, parking & front fender side marker, fog - GT 350 / 500        | 167  |
| 6920   | Fender and apron sheet metal - Shelby GT350 / 500                       | 168  |
| 6921-A | Bumper, front - Shelby GT 350 / 500                                     | 169  |
| 6921-B | Radiator Grille and related parts - GT350 / 500                         | 170  |
| 6922-A | Rear lamp, backup lamp, license plate & body side marker - GT 350 / 500 | 171  |
| 6922-B | Exterior Moulding, back end - Shelby GT350 / 500                        | 172  |
| 6923   | Exterior Moulding, side - Shelby GT350 / 500                            | 173  |
| 6926   | Instrument Panel, Wiring - GT 350 / 500                                 | 174  |
| 6927   | Suspension, Front   | 175  |
| 6939   | Roll Bar parts - Shelby GT350/500                                       | 176  |
| 6946   | Steering, Power Steering Pump Installation, 6 cyl engines               | 177  |
| 6947   | Steering, Power Steering Pump Installation, 6 cyl engines               | 178  |
| 6949   | Console - Shelby GT350/500  | 179  |
| 6964   | Turn indicator - hood mounted   | 180  |
| 6971   | Courtesy Lamp - door mounted  | 181  |
| 6977   | Ventilating Ducts   | 182  |
| 6980   | Hinges - front door upper   | 183  |
| 6981   | Hinges - front door lower   | 184  |
| 6984   | Engine Oil Cooler System  | 185  |
| 6987-A | Folding Top Parts - less trim - body type 76                            | 186  |
| 6987-B | Folding Top Parts - less trim - body type 76 (continued)                | 187  |
| 6996   | Wiring System - Typical - Page A  | 188  |
| 7026   | Wiring System - Typical - Page B  | 189  |
| 7032   | Rear Window Defogger  | 190  |
| 7040   | Courtesy Lamp - pillar mounted  | 191  |
| 7041   | Transmission Oil cooling system, automatic - typical                    | 192  |
| 7063   | Jack and Spare Wheel Parts  | 193  |

Index, Numerical Order  
1970 Mustang Part and Body Illustrations

| <b>Number</b> | <b>Description</b>  | <b>Page</b> |
|---------------|---|-------------|
| 7078          | AM Stereo Tape Player, AM/FM Multiplex Radio with speakers - integral               | 194         |
| 7102          | Exterior Mouldings - Back End - except Shelby GT350 / 500                           | 195         |
| 7103          | Exterior Mouldings - Side - except Shelby GT350 / 500                               | 196         |
| 7104          | Roof side mouldings and weatherstrips - body type 63                                | 197         |
| 7159          | Fender and Apron Sheet Metal - except GT350 / 500                                   | 198         |
| 7160          | Radiator Grille and related parts (except GT350 / 500)                              | 199         |
| 7172          | Lamps, Rear Lamp, Backup Lamp, License Plate and Body Sider Marker - except GT350 / | 200         |
| 7173          | Lamps, Headlamps, Parking Lamp and Front Fender Sider Marker - except GT350 / 500   | 201         |
| 7179          | Window, Back Window - outside - body type 65  | 202         |
| 7183          | Pressure Release Vent - Quarter   | 203         |
| 7207          | Fuel System - Evaporative Emission Control  | 204         |
| 7208          | Fuel System - without Evaporative Emission Control                                  | 205         |
| 7245          | Steering Column - floor shift - fixed wheel   | 206         |
| 7246          | Steering Column - floor shift - tilt wheel  | 207         |
| 7271          | Sheet Metal - body type 65 - under body   | 208         |
| 7272          | Sheet Metal - body type 76 - under body   | 209         |
| 7273          | Sheet Metal - body type 65 - upper body   | 210         |
| 7275          | Sheet Metal - body type 76 - upper body   | 211         |
| 7293          | Seat, Front Seat Mechanism - Bucket Seat  | 212         |
| 7295          | Carburetor - Carter RBS   | 213         |
| 7296          | Front Seat Back Latch   | 214         |
| 7365          | Steering, Power Steering Pump Installation  | 215         |
| 7373          | Air Cleaner - Ram Air (W)   | 216         |
| 7374          | Air Cleaner - Ram Air   | 217         |
| 7376          | Air Cleaner - exc. Ram Air (8 cylinder)   | 218         |
| 7383          | Exterior Mouldings - Vinyl Roof Mouldings - Body Type 65E                           | 219         |
| 7402          | Luggage Carrier, Ski Rack, Luggage Cover - Luggage Compartment Mounted              | 220         |
| 7412          | Louvers - back window - body type 63  | 221         |
| 7428          | Luggage Compartment trim  | 222         |
| 7450          | Seat Belt and Shoulder Harness Installation - Front Seat                            | 223         |
| 7451          | Seat Belt Installation - Rear Seat  | 224         |
| 7454          | Control Valve Details - 6 cyl.  | 225         |
| 7455          | Suspension, Rear - maximum handling stabilizer bar                                  | 226         |
| 7457          | Carburetor - Ford 2V  | 227         |

Index, Numerical Order  
1970 Mustang Part and Body Illustrations

| Number | Description  | Page |
|--------|--|------|
| 7474   | Lamps, Sports grille mounted   | 228  |
| 7499   | Gear Shift Mechanism - Hurst Floor Mounted - 4 Speed Manual Transmission | 229  |
| 7513   | Steering Wheel - 2 spoke   | 230  |
| 7514   | Steering Wheel - 3 spoke - rim blow - with cover                         | 231  |
| 7560   | Distributor Modulator System - 8 cyl. 302 CID Engine                     | 232  |
| 7561   | Distributor Modulator System - Ram Air                                   | 233  |
| 7562   | Distributor Modulator System - without Ram Air                           | 234  |
| 7589   | Engine Governor Transistorized - 302, 428, 429 CJ & SCJ                  | 235  |
| 7662   | Instrument panel pad and attaching parts                                 | 236  |
| 7741   | Air Conditioner - engine compartment - integral 6 cyl. 200, 250 CID      | 237  |
| 8301   | Air Conditioner - passenger compartment - integral                       | 238  |
| 8322   | Intake Manifold - 8 cyl. 429 CID   | 239  |
| 8367   | Cylinder Block - external (Cleveland)                                    | 240  |
| 8368   | Cylinder Block - internal (Cleveland)                                    | 241  |
| 8369   | Cylinder Block - external (Windsor)                                      | 242  |
| 8370   | Cylinder Block - internal (Windsor)                                      | 243  |
| 8371   | Engine Assembly - 390 and 428 CID  | 244  |
| 8372   | Engine Assembly - 351 CID  | 245  |
| 8398   | Engine assembly, 6 Cylinder 200, 250 C.I.D.                              | 246  |
| 8403   | Engine Assembly - 8 cylinder 429, 460 CID                                | 247  |
| 8408   | Rocker arm cover type-closed system, 6 Cylinder 200, 250                 | 248  |
| 8503   | Air Conditioner - passenger compartment - Hang-on - Slimline             | 249  |
| 8523   | Thermactor Emission Control System - 8 Cyl. "Boss 302" Engine            | 250  |
| 8524   | Thermactor Emission Control System - 8 Cyl. 429 Engine                   | 251  |
| 9198   | Water Pump - 8 cyl 390, 428 CID Engine                                   | 252  |
| 9859   | Steering Gear Details  | 253  |
| 10675  | Auxiliary air spring installation  | 254  |
| 10685  | Steering Wheel - 3 spoke - rim blow - w/o cover                          | 255  |
| 11434  | Windshield wiper - wiper motor (2 speed Ford electric)                   | 256  |
| 11536  | Child safety seat  | 257  |
| EA-2   | Exhaust System, 351-2B, Engine Code C - Single Exhaust                   | 258  |
| EA-3   | Exhaust System, 351-2B, Engine Code W - Single Exhaust                   | 259  |
| EA-4   | Exhaust System, 302-2B, Single Exhaust                                   | 260  |
| EA-10  | Exhaust System, 429-4B, Boss - Dual Exhaust                              | 261  |
| EA-11  | Exhaust System, 200-1B, 250-1B, Single Exhaust                           | 262  |

Index, Numerical Order  
1970 Mustang Part and Body Illustrations

| <b>Number</b> | <b>Description</b>   | <b>Page</b> |
|---------------|--|-------------|
| EA-30         | Exhaust System, Boss 302-4B, Dual Exhaust                  | 263         |
| EA-31         | Exhaust System, 428-4B, Except Shelby GT500 - Dual Exhaust | 264         |
| EA-32         | Exhaust System, 351-4B, Except Shelby GT350 - Dual Exhaust | 265         |
| EA-55         | Exhaust System, 351-4B, Shelby GT350 - Dual Exhaust        | 266         |
| EA-56         | Exhaust System, 428-4B, Shelby GT500 - Dual Exhaust        | 267         |

Index, Alphabetical Order  
1970 Mustang Part and Body Illustrations

| Description   | Number | Page |
|---|--------|------|
| Accelerator Linkage   | 6897   | 164  |
| Accelerator Linkage - 6 Cylinder, 200, 250 CID Engines                | 6896   | 163  |
| Air Cleaner - 6 Cylinder  | 6221   | 107  |
| Air Cleaner - 8 cylinder - Ram Air - fixed type - Cobra Jet Engine    | 6619   | 124  |
| Air Cleaner - 8 cylinder - Ram Air - shaker type - Cobra Jet Engine   | 6888   | 160  |
| Air Cleaner - Cobra Jet - exc. Ram Air                                | 6889   | 161  |
| Air Cleaner - exc. Ram Air  | 6224   | 108  |
| Air Cleaner - exc. Ram Air (8 cylinder)                               | 7376   | 218  |
| Air Cleaner - Ram Air   | 7374   | 217  |
| Air Cleaner - Ram Air (W)   | 7373   | 216  |
| Air Conditioner - engine compartment - integral 6 cyl. 200, 250       | 6475   | 120  |
| Air Conditioner - engine compartment - integral 6 cyl. 200, 250 CID   | 7741   | 237  |
| Air Conditioner - engine compartment - integral 8 cyl. 390, 428       | 5801   | 101  |
| Air Conditioner - engine compartment - integral, 8 cyl. 302, 351      | 6476   | 121  |
| Air Conditioner - passenger compartment - Hang-on - Slimline          | 8503   | 249  |
| Air Conditioner - passenger compartment - integral                    | 6644   | 127  |
| Air Conditioner - passenger compartment - integral                    | 8301   | 238  |
| Air Conditioner - vacuum hoses - integral                             | 6645   | 128  |
| Air Conditioner Controls - Integral                                   | 6643   | 126  |
| Air conditioner, Compressor ( York design)                            | 4382   | 62   |
| Air conditioner, Compressor (Tecumseh design)                         | 4381   | 61   |
| Air conditioner, Compressor clutch (integral)                         | 3216   | 43   |
| Alternator (Ford 15 volt - 65 amp)                                    | 5394   | 83   |
| Alternator (Ford 15 volt-38, 42, 45, 55, 60 amp)                      | 4508   | 66   |
| Alternator (Leece Neville 15 volt-53, 60, 65 amp)                     | 5741   | 96   |
| AM Stereo Tape Player, AM/FM Multiplex Radio with speakers - integral | 7078   | 194  |
| Auxiliary air spring installation                                     | 10675  | 254  |
| Back Belt Mouldings - body type 76                                    | 6788   | 145  |
| Back Window - body type 63  | 6789   | 146  |
| Back Window - body type 65  | 6790   | 147  |
| Brake Cylinder Details - front & rear                                 | 3906   | 53   |
| Brake details - drum rear   | 3703   | 45   |
| Brake Details, disc front   | 6218   | 106  |
| Brake Master Cylinder details   | 5518   | 86   |
| Brake, Disc and Drum System   | 6754   | 142  |

Index, Alphabetical Order  
1970 Mustang Part and Body Illustrations

| Description   | Number | Page |
|---|--------|------|
| Brake, Parking Brake System                             | 6755   | 143  |
| Bumper, front - except Shelby GT 350 / 500              | 6664   | 133  |
| Bumper, front - Shelby GT 350 / 500                     | 6921-A | 169  |
| Bumper, rear  | 6731   | 135  |
| Camshaft, gear and bearings                             | 4878   | 71   |
| Camshaft, gear and bearings, 6 Cylinder 200, 250 C.I.D. | 2964   | 33   |
| Camshaft, gear and bearings, 8 Cylinder Engines         | 3733   | 49   |
| Carburetor - Carter - Thermostatic choke                | 6209   | 105  |
| Carburetor - Carter RBS                                 | 7295   | 213  |
| Carburetor - Ford 2V                                    | 7457   | 227  |
| Carburetor - Ford 4V - without external accel pump      | 5457   | 84   |
| Carburetor - Holley 4V                                  | 5320   | 82   |
| Child safety seat                                       | 11536  | 257  |
| Clutch and Brake Pedals                                 | 6756   | 144  |
| Console - except Shelby GT350/500                       | 6737   | 138  |
| Console - Shelby GT350/500                              | 6949   | 179  |
| Control Valve Details - 6 cyl.                          | 7454   | 225  |
| Convertible Top Electrical System                       | 6895   | 162  |
| Cooling System - 390, 427, 428, 429 CID Engine          | 5723   | 95   |
| Cooling Systems, 6 & 8 Cyl. Engines                     | 3147   | 41   |
| Courtesy Lamp - door mounted                            | 6971   | 181  |
| Courtesy Lamp - pillar mounted                          | 7040   | 191  |
| Courtesy lamp - quarter panel mounted                   | 4735   | 69   |
| Crankshaft and flywheel                                 | 2488   | 29   |
| Crankshaft and flywheel, 6 Cylinder 200, 250 C.I.D.     | 4899   | 72   |
| Crankshaft and flywheel, 8 Cylinder Engines             | 3734   | 50   |
| Cylinder Block - external (Cleveland)                   | 8367   | 240  |
| Cylinder Block - external (Windsor)                     | 8369   | 242  |
| Cylinder Block - internal (Cleveland)                   | 8368   | 241  |
| Cylinder Block - internal (Windsor)                     | 8370   | 243  |
| Cylinder block, 6 Cylinder 200, 250 C.I.D.              | 3088   | 34   |
| Cylinder Block, 8 Cyl., 352, 390, 427, 428 CID          | 2881   | 30   |
| Cylinder Details  | 4180   | 55   |
| Cylinder head, valves, and related parts, 8 Cyl.        | 3727   | 47   |
| Distributor (6 Cylinder 250 Engine)                     | 5825   | 102  |

Index, Alphabetical Order  
1970 Mustang Part and Body Illustrations

| Description  | Number | Page |
|--|--------|------|
| Distributor (8 cylinder – with stamped weights)              | 4924   | 73   |
| Distributor Modulator System - 8 cyl. 302 CID Engine         | 7560   | 232  |
| Distributor Modulator System - Ram Air                       | 7561   | 233  |
| Distributor Modulator System - without Ram Air               | 7562   | 234  |
| Door Bumpers, rubber   | 6440   | 110  |
| Drive Shaft  | 3144   | 40   |
| Emission Reduction System, rocker arm cover type-open system | 4592   | 67   |
| Engine Assembly - 351 CID                                    | 8372   | 245  |
| Engine Assembly – 390 and 428 CID                            | 8371   | 244  |
| Engine Assembly - 8 cylinder 429, 460 CID                    | 8403   | 247  |
| Engine assembly, 6 Cylinder 200, 250 C.I.D.                  | 8398   | 246  |
| Engine Governor Transistorized - 302, 428, 429 CJ & SCJ      | 7589   | 235  |
| Engine Oil Cooler System                                     | 6984   | 185  |
| Engine Supports – 390, 427, 428 CID Engine                   | 5626   | 91   |
| Engine Supports, 6 Cyl. and 8 Cyl. Engines                   | 5625   | 90   |
| Exhaust air supply pump                                      | 5009   | 74   |
| Exhaust System, 200-1B, 250-1B, Single Exhaust               | EA-11  | 262  |
| Exhaust System, 302-2B, Single Exhaust                       | EA-4   | 260  |
| Exhaust System, 351-2B, Engine Code C - Single Exhaust       | EA-2   | 258  |
| Exhaust System, 351-2B, Engine Code W - Single Exhaust       | EA-3   | 259  |
| Exhaust System, 351-4B, Except Shelby GT350 - Dual Exhaust   | EA-32  | 265  |
| Exhaust System, 351-4B, Shelby GT350 - Dual Exhaust          | EA-55  | 266  |
| Exhaust System, 428-4B, Except Shelby GT500 - Dual Exhaust   | EA-31  | 264  |
| Exhaust System, 428-4B, Shelby GT500 - Dual Exhaust          | EA-56  | 267  |
| Exhaust System, 429-4B, Boss - Dual Exhaust                  | EA-10  | 261  |
| Exhaust System, Boss 302-4B, Dual Exhaust                    | EA-30  | 263  |
| Exterior Moulding, back end - Shelby GT350 / 500             | 6922-B | 172  |
| Exterior Moulding, side - Shelby GT350 / 500                 | 6923   | 173  |
| Exterior Mouldings - Back End - except Shelby GT350 / 500    | 7102   | 195  |
| Exterior Mouldings - Side - except Shelby GT350 / 500        | 7103   | 196  |
| Exterior Mouldings - Vinyl Roof Mouldings - Body Type 65E    | 7383   | 219  |
| Fender and Apron Sheet Metal - except GT350 / 500            | 7159   | 198  |
| Fender and apron sheet metal - Shelby GT350 / 500            | 6920   | 168  |
| Folding Top Parts - less trim - body type 76                 | 6987-A | 186  |
| Folding Top Parts - less trim - body type 76 (continued)     | 6987-B | 187  |

Index, Alphabetical Order  
1970 Mustang Part and Body Illustrations

| Description   | Number | Page |
|---|--------|------|
| Front and rear wheel, hub, & bearing  | 3118   | 37   |
| Front Seat Back Latch   | 7296   | 214  |
| Fuel System - Evaporative Emission Control  | 7207   | 204  |
| Fuel System - without Evaporative Emission Control                                  | 7208   | 205  |
| Gear Shift Mechanism - Hurst Floor Mounted - 4 Speed Manual Transmission            | 7499   | 229  |
| Gear Shift Mechanism, Transmission - console or floor mtd - 3 speed trans.          | 6794   | 148  |
| Handles and latch parts (front door)  | 5627   | 92   |
| Headlamp, parking & front fender side marker, fog - GT 350 / 500                    | 6919   | 167  |
| Headrest, Front Seat  | 6809   | 151  |
| Heater, Force Ventilation System  | 6642   | 125  |
| Hinges – front door lower   | 6981   | 184  |
| Hinges - front door upper   | 6980   | 183  |
| Hood - except Shelby GT350 / 500  | 6650   | 129  |
| Hood - Shelby GT350 / 500   | 6918   | 166  |
| Instrument Cluster and Related Parts  | 6658   | 131  |
| Instrument Panel and related parts  | 6659   | 132  |
| Instrument panel pad and attaching parts  | 7662   | 236  |
| Instrument Panel, Wiring - except GT 350 / 500                                      | 6657   | 130  |
| Instrument Panel, Wiring - GT 350 / 500   | 6926   | 174  |
| Intake Manifold - 8 cyl. 429 CID  | 8322   | 239  |
| Intake manifold & related parts, 8 Cylinder 289 CID Engine                          | 3742   | 52   |
| Interior Trim parts - body type 63 - w/fixed rear seat                              | 6845   | 153  |
| Interior Trim parts - body type 63 - w/folding rear seat                            | 6848   | 156  |
| Interior Trim parts - body type 65  | 6846   | 154  |
| Interior Trim parts - body type 76  | 6847   | 155  |
| Jack and Spare Wheel Parts  | 7063   | 193  |
| Lamps, Headlamps, Parking Lamp and Front Fender Sider Marker - except GT350 / 500   | 7173   | 201  |
| Lamps, Rear Lamp, Backup Lamp, License Plate and Body Sider Marker - except GT350 / | 7172   | 200  |
| Lamps, Sports grille mounted  | 7474   | 228  |
| Latch parts (Luggage Compartment)   | 5634   | 94   |
| Louvers - back window - body type 63  | 7412   | 221  |
| Luggage Carrier - luggage compartment mounted - removable                           | 6738   | 139  |
| Luggage Carrier, Ski Rack, Luggage Cover - Luggage Compartment Mounted              | 7402   | 220  |
| Luggage Compartment trim  | 7428   | 222  |

Index, Alphabetical Order  
1970 Mustang Part and Body Illustrations

| Description  | Number | Page |
|--|--------|------|
| Mirror - remote control  | 5773   | 97   |
| Oil filters - cartridge type   | 1246   | 22   |
| Oil filters - spin-on type   | 2384   | 24   |
| Oil Filters - spin-on type and adapter   | 2486   | 27   |
| Oil Pump – 390, 427, 428 CID Engine  | 2476   | 25   |
| Oil pump, 6 Cylinder 200, 250 C.I.D.   | 2963   | 32   |
| Oil pump, 8 Cylinder 260, 289,302,351,400,429,460 C.I.D.                       | 3736   | 51   |
| Piston and connecting rod, 6 Cyl and 8 Cyl 260, 289,302,351,400,429,460 C.I.D. | 3732   | 48   |
| Piston and connecting rod, 6 Cylinder 200, 250 C.I.D.                          | 3090   | 36   |
| Piston and connecting rods – 390, 427, 428 CID Engine                          | 2487   | 28   |
| Pressure Release Vent - Quarter  | 7183   | 203  |
| Radiator Grille and related parts - GT350 / 500                                | 6921-B | 170  |
| Radiator Grille and related parts (except GT350 / 500)                         | 7160   | 199  |
| Rear Axle Equa Lock (integral carrier) and Non-Locking (integral carrier)      | 5796   | 100  |
| Rear Axle Non-Locking (separate carrier)                                       | 2130   | 23   |
| Rear Axle, Locking - Dapco no-spin-9" ring gear (separate carrier)             | 4721   | 68   |
| Rear Axle, Locking (Traction Lok)  | 6459   | 111  |
| Rear lamp, backup lamp, license plate & body side marker - GT 350 / 500        | 6922-A | 171  |
| Rear seat fixed - body type 63   | 5788   | 99   |
| Rear seat folding - body type 63   | 5787   | 98   |
| Rear Window Defogger   | 7032   | 190  |
| Rocker arm cover type - 4/B carb. Open system                                  | 5302   | 81   |
| Rocker arm cover type-closed system, 6 Cylinder 200, 250                       | 8408   | 248  |
| Rocker arm cover type-open system, 6 Cylinder 200                              | 4389   | 63   |
| Roll Bar parts - Shelby GT350/500  | 6939   | 176  |
| Roof side mouldings and weatherstrips - body type 63                           | 7104   | 197  |
| Roof side mouldings and weatherstrips - body type 65                           | 6808   | 150  |
| Seat Belt and Parking Brake Warning Lamp Installation                          | 6869   | 159  |
| Seat Belt and Shoulder Harness Installation - Front Seat                       | 7450   | 223  |
| Seat Belt Installation - Rear Seat   | 7451   | 224  |
| Seat, Front Seat Mechanism - Bucket Seat                                       | 7293   | 212  |
| Sheet Metal - body type 63 - upper body  | 6716   | 134  |
| Sheet Metal - body type 65 - under body  | 7271   | 208  |
| Sheet Metal - body type 65 - upper body  | 7273   | 210  |
| Sheet Metal - body type 76 - under body  | 7272   | 209  |

Index, Alphabetical Order  
1970 Mustang Part and Body Illustrations

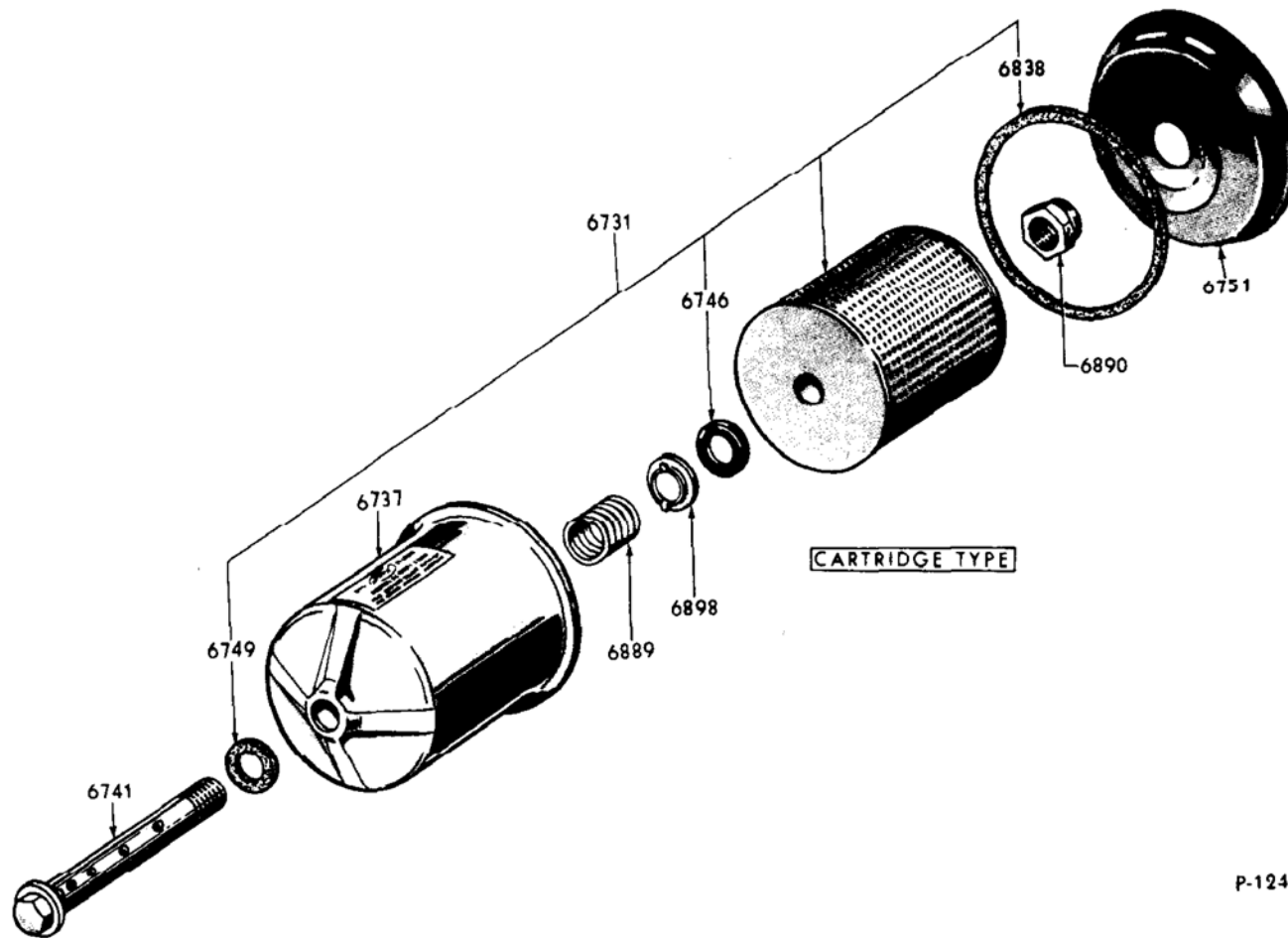
| Description   | Number | Page |
|---|--------|------|
| Sheet Metal - body type 76 - upper body   | 7275   | 211  |
| Sheet Metal - under body 1967/70 body type 63, 1967/69 body type 65               | 5466   | 85   |
| Shock absorber - rear   | 3137   | 39   |
| Springs, Rear Suspension  | 3125   | 38   |
| Starter and Drive Assy. – Positive Engagement                                     | 3191   | 42   |
| Starter and Solenoid (Ford 12 volt - positive engagement)                         | 5952   | 103  |
| Starter Drive (Ford 12 volt – positive engagement)                                | 5526   | 88   |
| Steering Column - floor shift - fixed wheel                                       | 7245   | 206  |
| Steering Column - floor shift - tilt wheel  | 7246   | 207  |
| Steering Gear Details   | 9859   | 253  |
| Steering linkage, Manual  | 5959   | 104  |
| Steering Wheel - 2 spoke  | 7513   | 230  |
| Steering Wheel - 3 spoke - rim blow - w/o cover                                   | 10685  | 255  |
| Steering Wheel - 3 spoke - rim blow - with cover                                  | 7514   | 231  |
| Steering, Power Steering Linkage  | 6906   | 165  |
| Steering, Power steering pump details   | 5615   | 89   |
| Steering, Power Steering Pump Installation  | 7365   | 215  |
| Steering, Power Steering Pump Installation, 6 cyl engines                         | 6946   | 177  |
| Steering, Power Steering Pump Installation, 6 cyl engines                         | 6947   | 178  |
| Stereo tape player - hang-on  | 6540   | 123  |
| Suspension, Front   | 6927   | 175  |
| Suspension, Rear - maximum handling stabilizer bar                                | 7455   | 226  |
| Thermactor Emission Control System - 8 Cyl. "Boss 302" Engine                     | 8523   | 250  |
| Thermactor Emission Control System - 8 Cyl. 429 Engine                            | 8524   | 251  |
| Thermostatic Choke Control  | 5633   | 93   |
| Thermostatic Choke Control System   | 6432   | 109  |
| Transmission Automatic, bushings  | 4862   | 70   |
| Transmission Automatic, Shift control selector mechanism, Automatic               | 6802   | 149  |
| Transmission Automatic, Vacuum throttle valve, lines and fittings - typical       | 3627   | 44   |
| Transmission C4 Type, Case, converter assy., extension, pump - typical            | 4326   | 56   |
| Transmission C4 Type, Clutches, gears, shafts, rear support - typical             | 4327   | 57   |
| Transmission C4 Type, Main control valve body assy. (Basic 7A100) - typical       | 4507   | 65   |
| Transmission C4 Type, Parking pawl, throttle and manual control linkage - typical | 4330   | 60   |
| Transmission C4 Type, Servo and band, front - typical                             | 4328   | 58   |

Index, Alphabetical Order  
1970 Mustang Part and Body Illustrations

| Description  | Number | Page |
|--|--------|------|
| Transmission C4 Type, Servo and band, rear - typical                                   | 4329   | 59   |
| Transmission C6 Type, Case, converter assy., extension, pump - typical                 | 5172   | 76   |
| Transmission C6 Type, Clutches, gears, shafts - typical                                | 5173   | 77   |
| Transmission C6 Type, Main control valve body assy. (Basic 7A100) - typical            | 5176   | 79   |
| Transmission C6 Type, Parking pawl, throttle and manual control linkage - typical      | 5191   | 80   |
| Transmission C6 Type, Servo and band - typical   | 5174   | 78   |
| Transmission FMX type - Case, converter assy., extension, pump, rear support - typical | 6462   | 112  |
| Transmission FMX type - Clutches, gears, shafts, extension - typical                   | 6463   | 113  |
| Transmission FMX type - Main control valve body assy. (Basic 7A100) - typical          | 6466   | 116  |
| Transmission FMX type - Oil pressure regulator assy. (Basic 7A139) - typical           | 6470   | 117  |
| Transmission FMX type - Oil pressure tubes installation - typical                      | 6472   | 119  |
| Transmission FMX type - Parking pawl, throttle and manual control linkage - typical    | 6471   | 118  |
| Transmission FMX type - Servo and band, front - typical                                | 6464   | 114  |
| Transmission FMX type - Servo and band, rear - typical                                 | 6465   | 115  |
| Transmission Oil cooling system, automatic - typical                                   | 7041   | 192  |
| Transmission, Manual, 3 Speed manual trans 3.03 type                                   | 4012   | 54   |
| Transmission, Manual, Ford 4 speed   | 4424   | 64   |
| Turn indicator - hood mounted  | 6964   | 180  |
| Valves, push rods and rocker arm cover, 6 Cyl and 8 Cyl 260, 289,302,351,400,429,460   | 3726   | 46   |
| Valves, push rods and rocker arm cover, 6 Cylinder                                     | 3089   | 35   |
| Valves, push rods, and rocker arm cover – 390, 427, 428 CID Engine                     | 2485   | 26   |
| Ventilating Ducts  | 6977   | 182  |
| Voltage Regulator (Ford 15 volt, negative ground)                                      | 5525   | 87   |
| Water Pump - 8 cyl 390, 428 CID Engine   | 9198   | 252  |
| Water Pump - 8 cyl. 351C, 400, 429, 460 engines  | 6492   | 122  |
| Water Pumps, 6 cyl. - 200, 250 engines   | 2962   | 31   |
| Water Pumps, 8 cyl. - 289, 302, 351W engine (with cover)                               | 5143   | 75   |
| Window parts - front door  | 6816   | 152  |
| Window parts - quarter window - body type 63   | 6732   | 136  |
| Window parts - quarter window - body type 65, 76                                       | 6733   | 137  |
| Window, Back Window - outside - body type 65   | 7179   | 202  |
| Windshield - body types 63, 65   | 6740   | 140  |

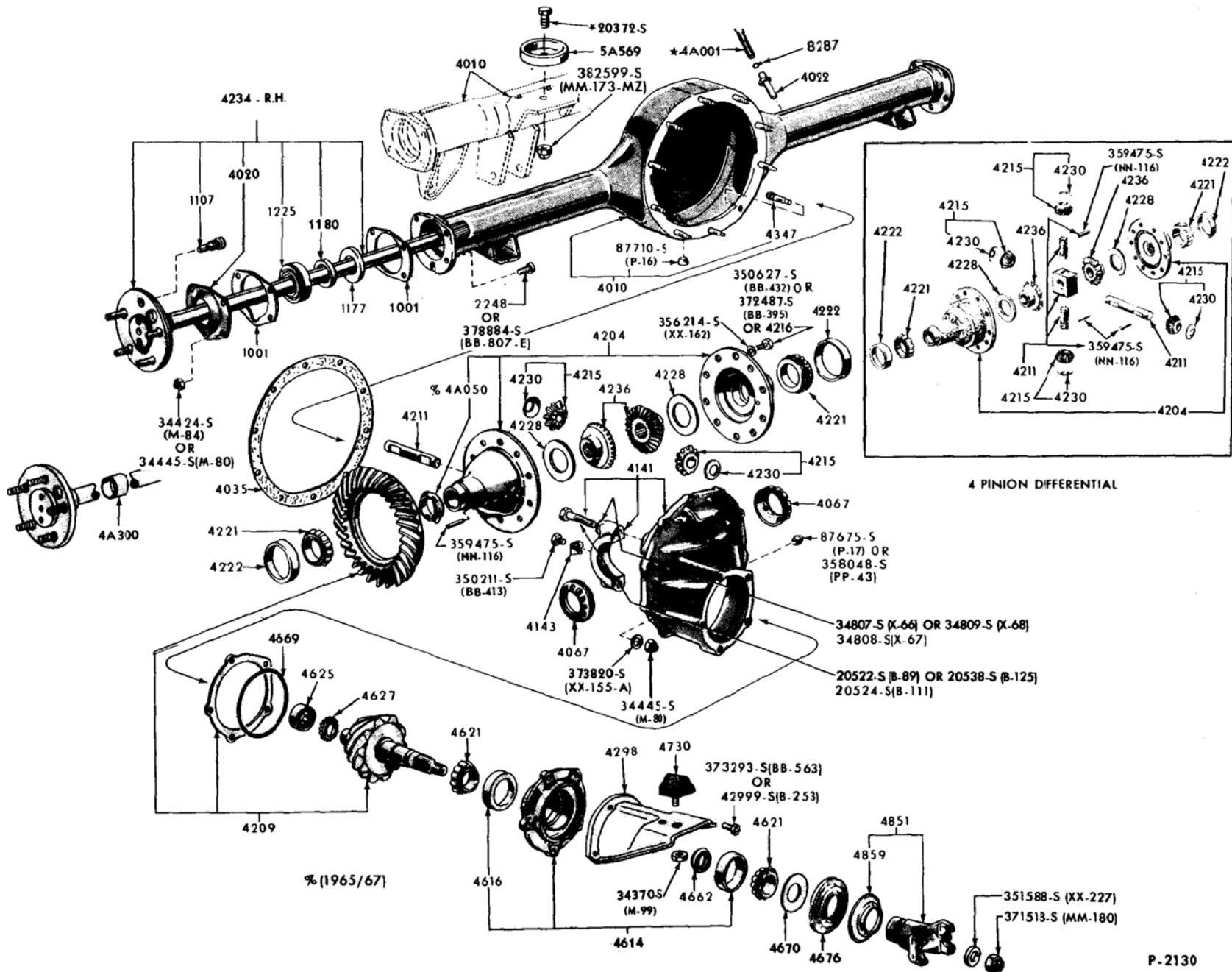
Index, Alphabetical Order  
1970 Mustang Part and Body Illustrations

| <b>Description</b>                                     | <b>Number</b> | <b>Page</b> |
|--|---------------|-------------|
| Windshield - body types 76                             | 6741          | 141         |
| Windshield Washer and wipers                           | 6867          | 157         |
| Windshield wiper - wiper motor (2 speed Ford electric) | 11434         | 256         |
| Windshield wiper and washer                            | 6867-B        | 158         |
| Wiring System - Typical - Page A                       | 6996          | 188         |
| Wiring System - Typical - Page B                       | 7026          | 189         |

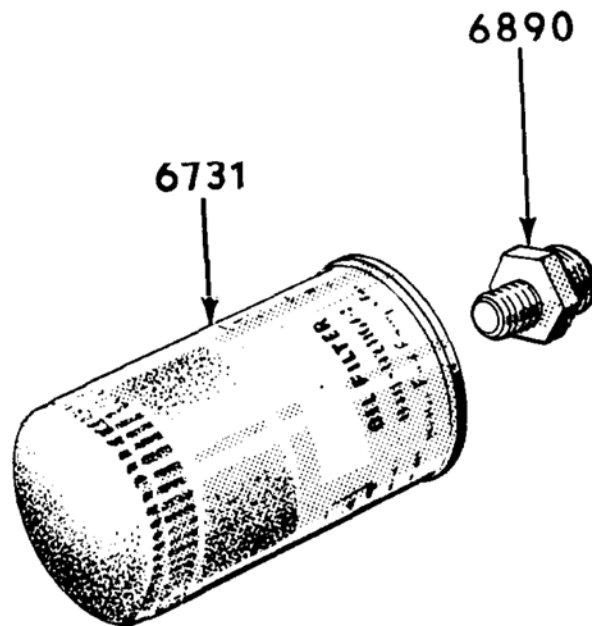


P-1246

**ENGINE FILER AND RELATED PARTS - CARTRIDGE TYPE - TYPICAL  
1965 / 72 6 CYLINDER 170, 200, 240, 250 AND 8 CYLINDER 260, 289, 302 AND 351**

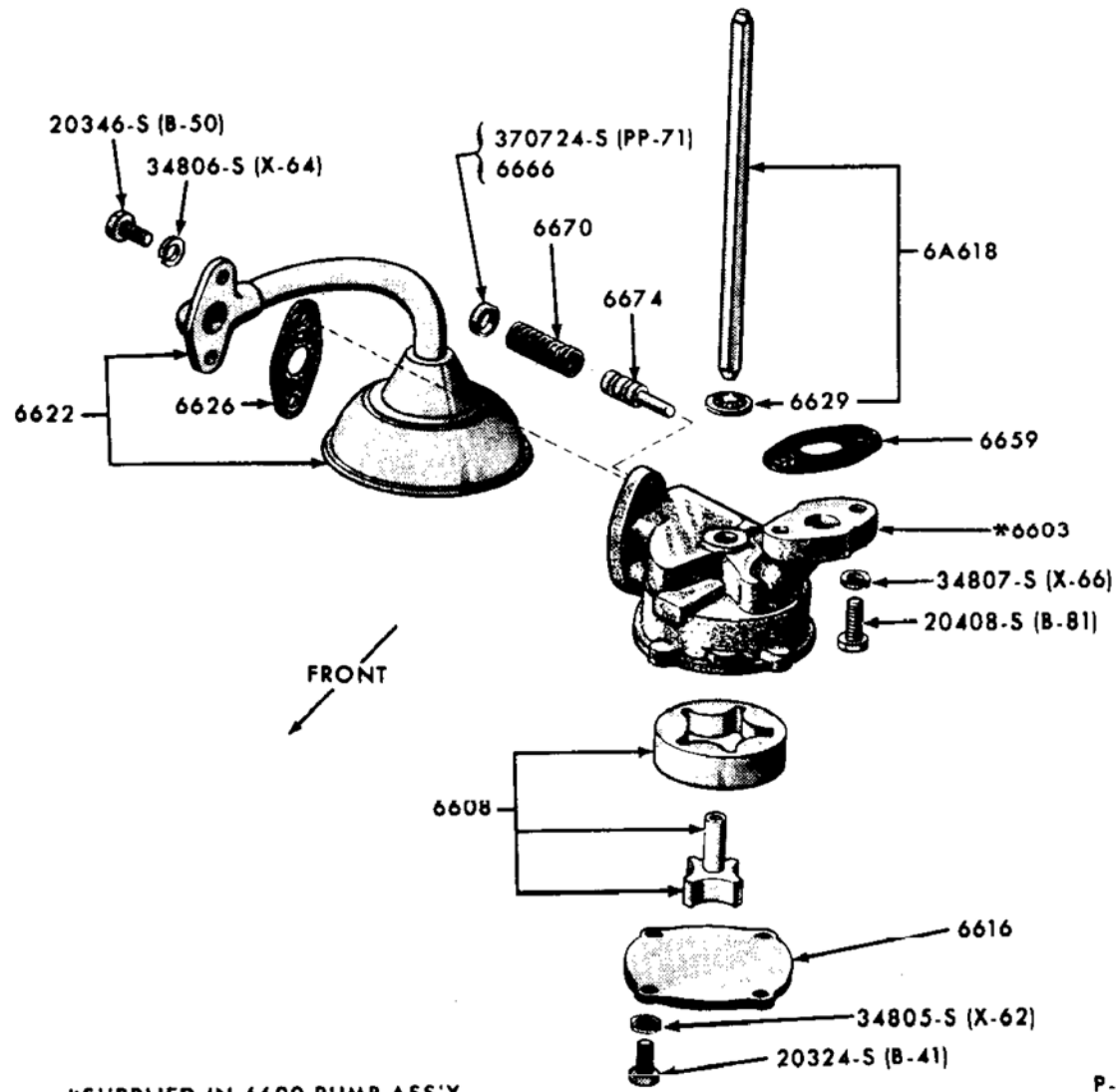


**REAR AXLE - NON LOCKING WITH SEPARATE CARRIER - TYPICAL**  
**7 3/4", 8", 8 3/4", 9" RING GEAR**  
**1966 / 72 BRONCO, 1965 / 72 FALCON, FAIRLANE/TORINO, FORD, MUSTANG**  
**1971 / 72 MAVERICK, 1965 / 67, 1970/72 THUNDERBIRD**

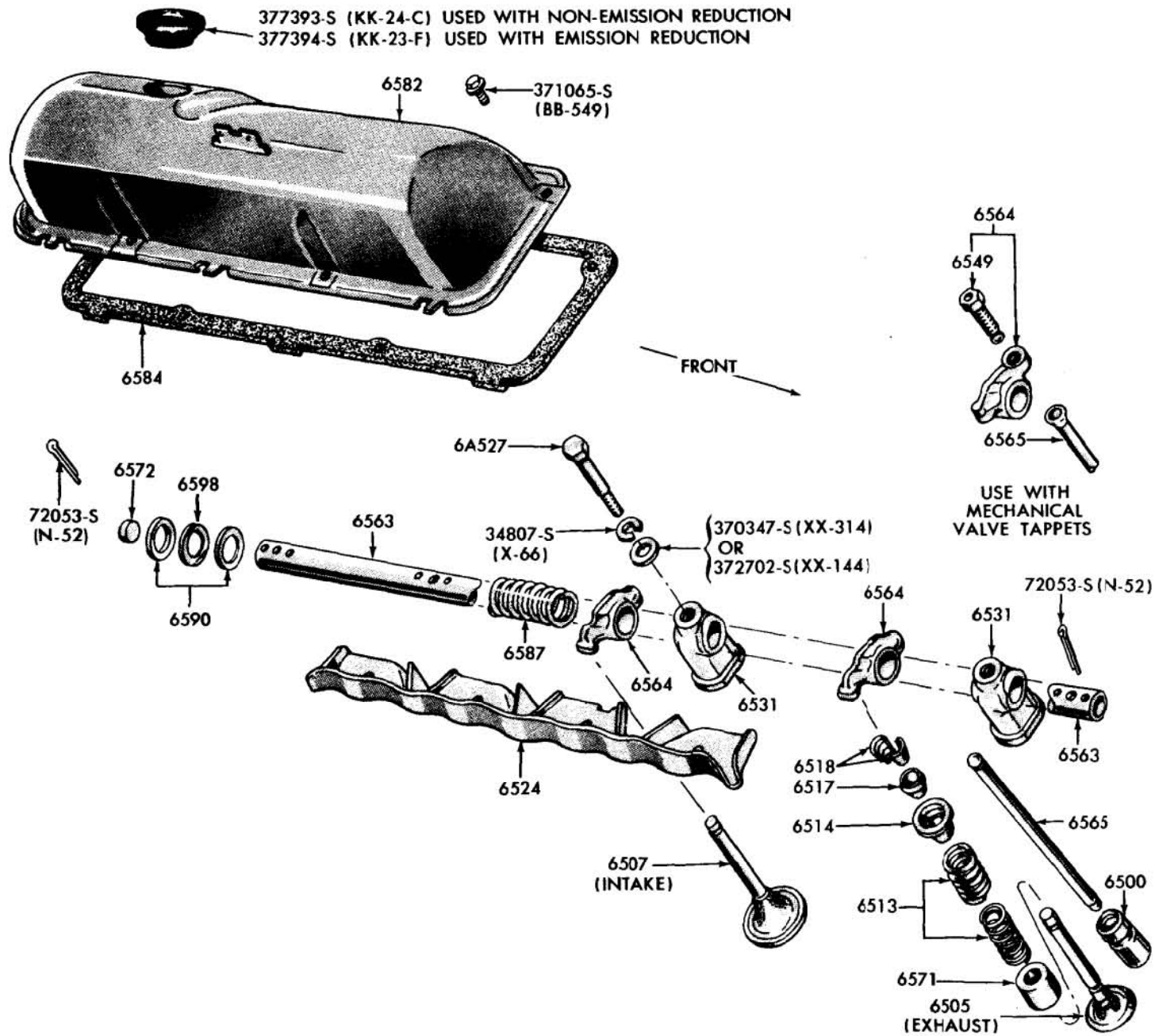


P-2384

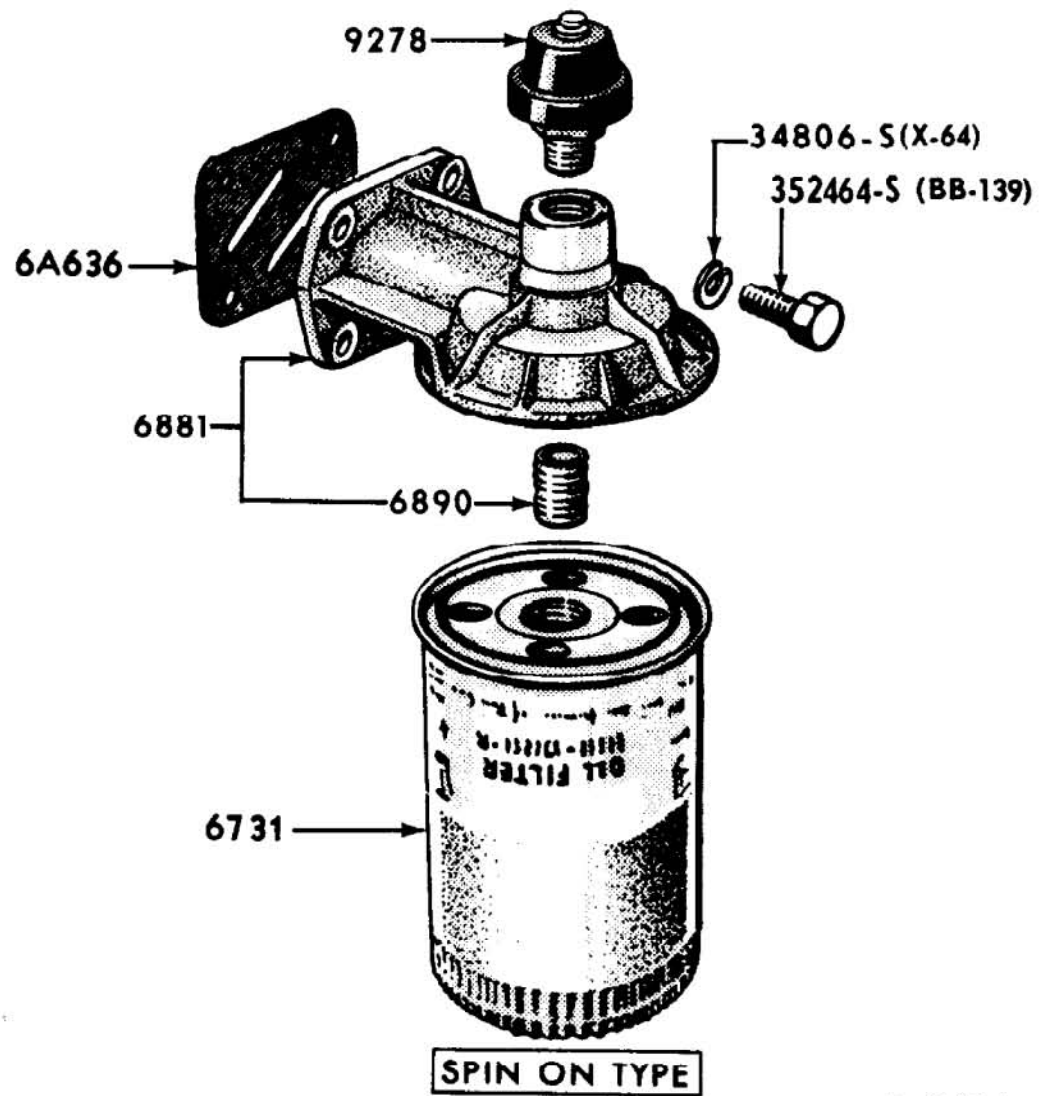
**ENGINE FILER AND RELATED PARTS - SPIN-ON TYPE - TYPICAL**  
**1965 / 72 6 CYLINDER 170, 200, 240, 250 AND 8 CYLINDER 260, 289, 302, 351, 352, 390, 400, 427, 428, 429 AND 460**



ENGINE OIL PUMP AND RELATED PARTS -- TYPICAL  
 1965 / 71 8 CYLINDER 352, 390, 427 AND 428

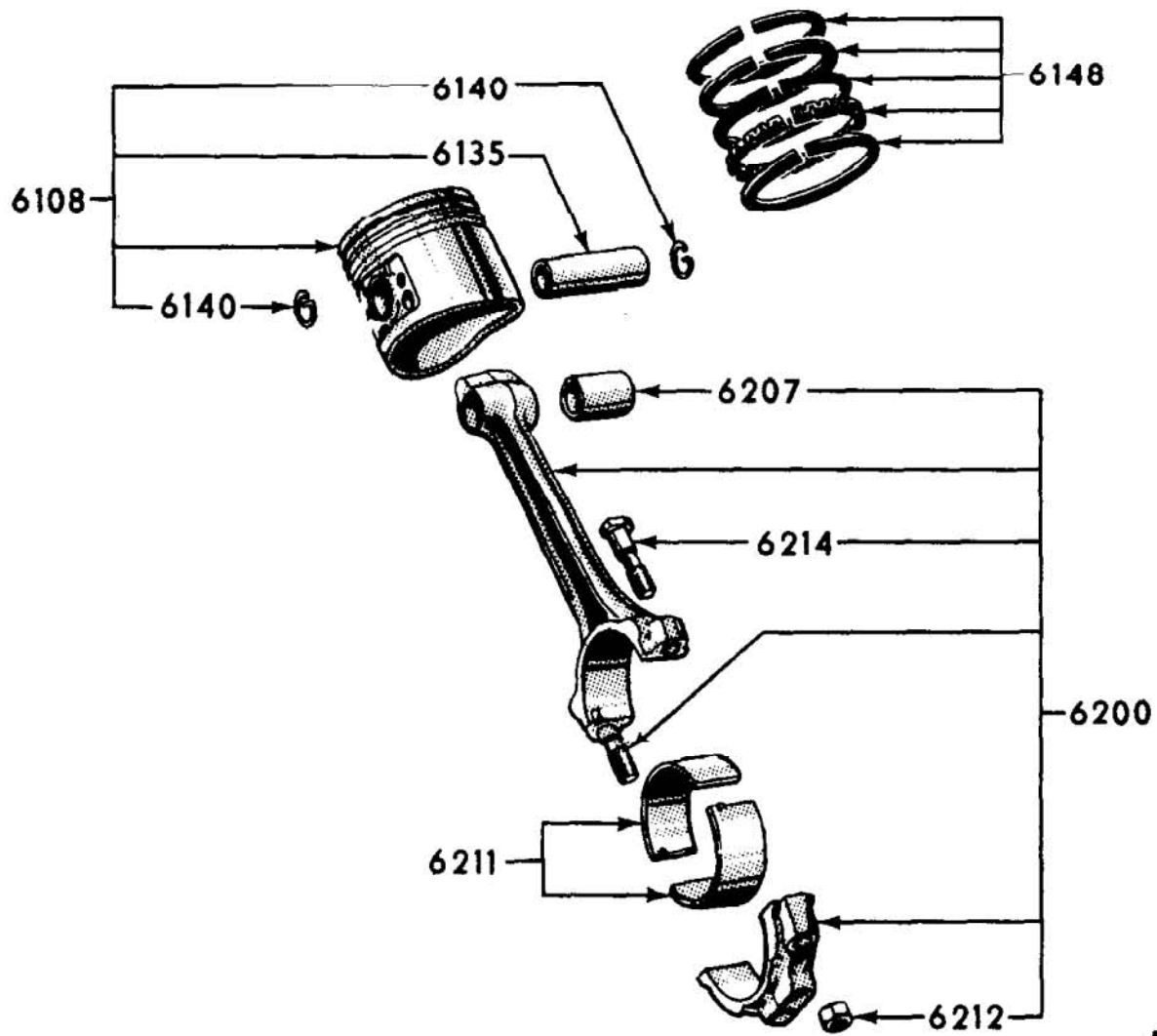


ENGINE VALVES, PUSH RODS, ROCKER ARM COVER AND RELATED PARTS - TYPICAL  
 1965 / 71 8 CYLINDER 352, 390, 427 AND 428



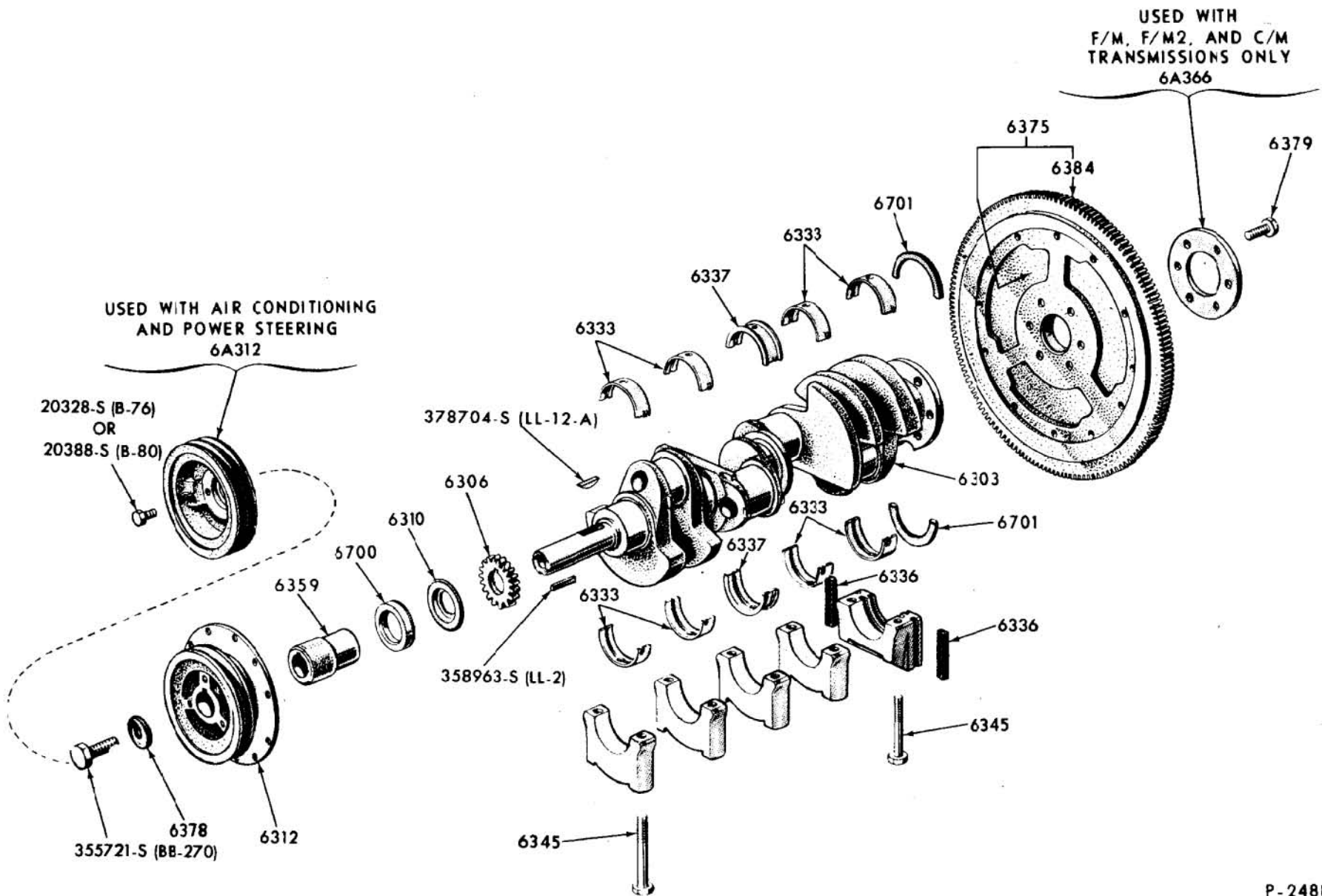
P-2486

ENGINE OIL FILTER, ADAPTER AND RELATED PARTS - TYPICAL  
1965/ 8 CYLINDER 352, 390, 400, 427, 428 AND 429



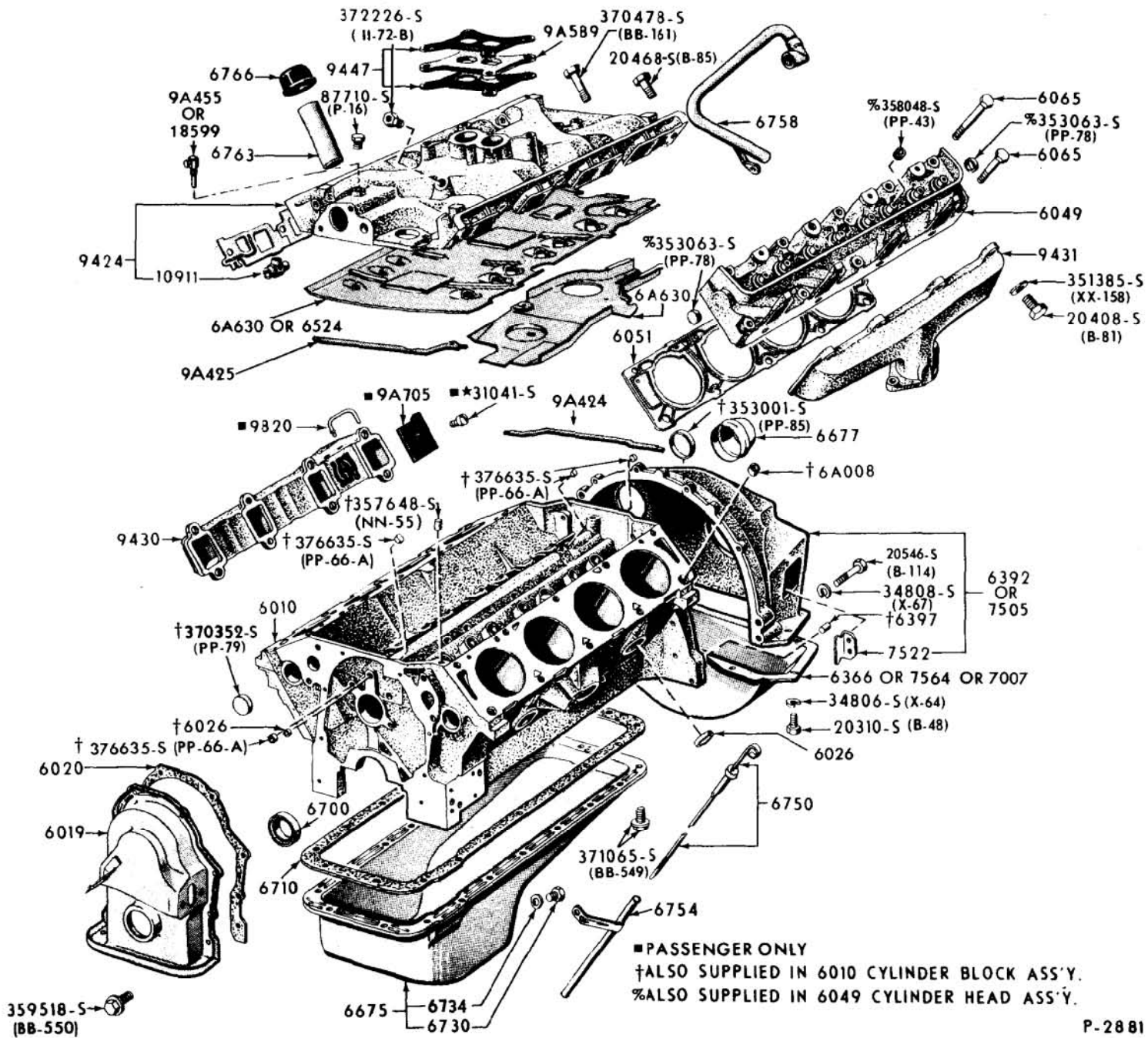
P-2487

ENGINE PISTON, CONNECTION ROD AND RELATED PARTS - TYPICAL  
1965 / 71 8 CYLINDER 352, 390, 427, AND 428

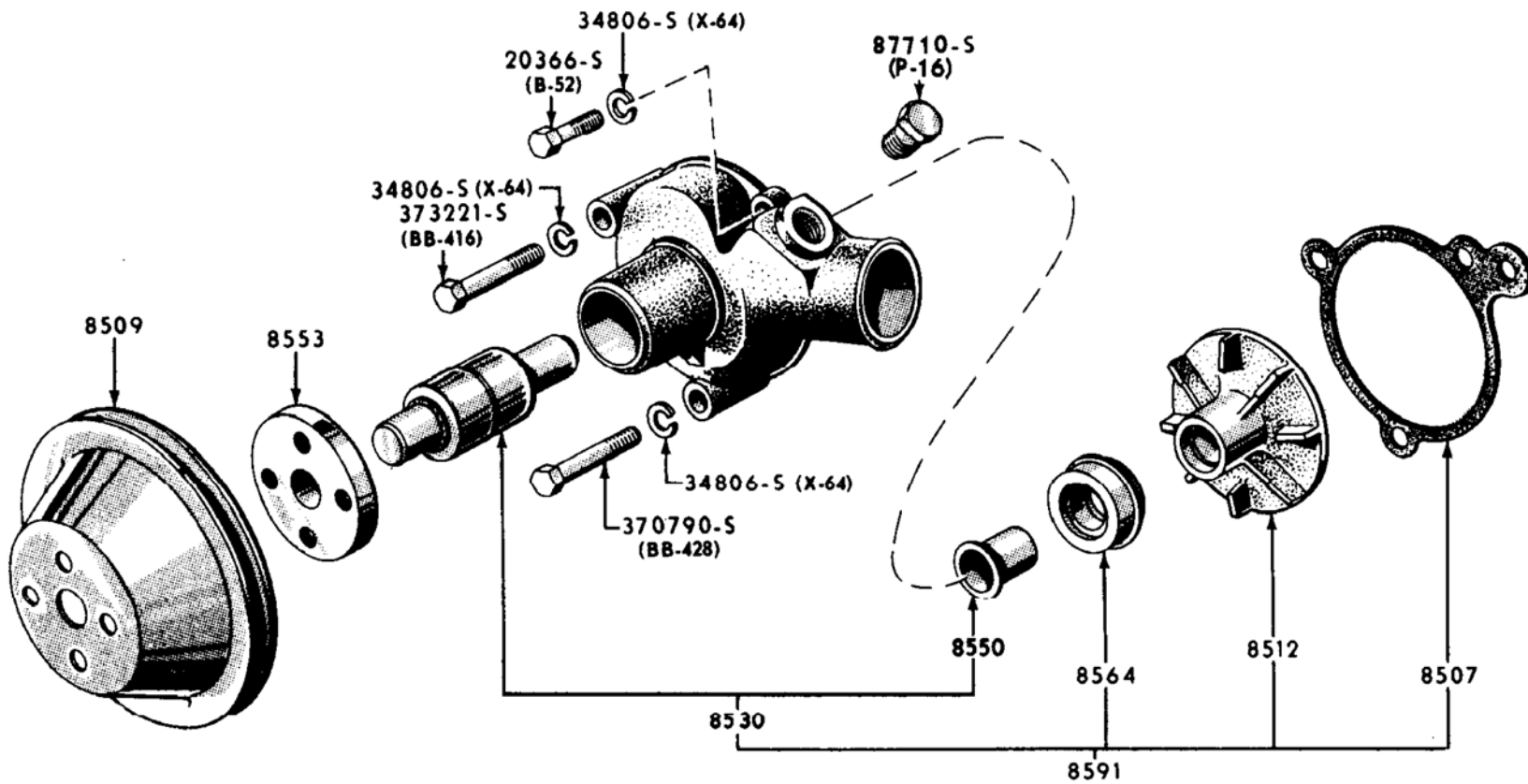


P-2488

**ENGINE CRANKSHAFT, FLYWHEEL AND RELATED PARTS - TYPICAL  
1965 / 71 8 CYLINDER 352, 390, 427 AND 428**

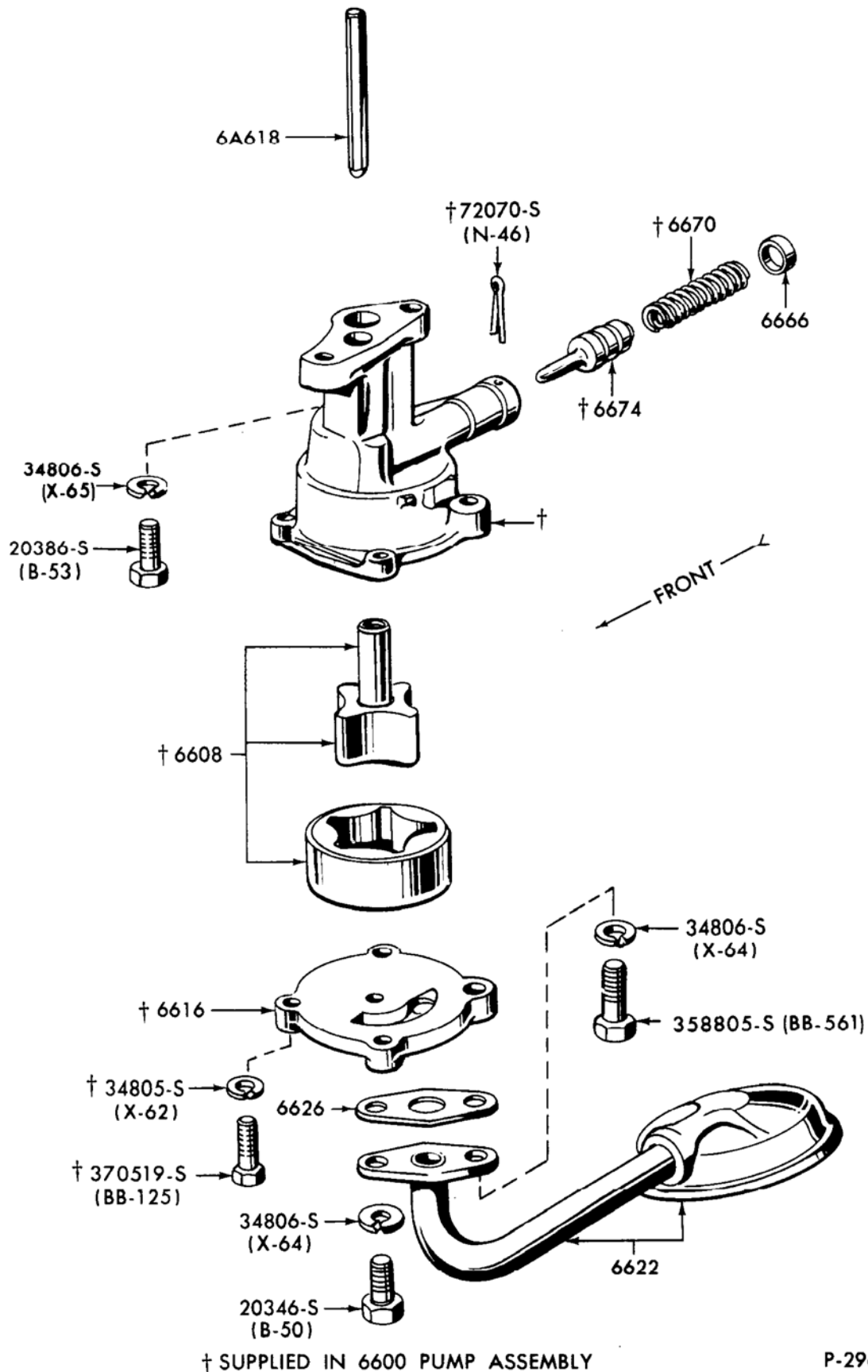


**CYLINDER BLOCK AND RELATED PARTS**  
**8 CYLINDER 352, 390, 427 AND 428 ENGINES TYPICAL**  
 1965 / 71

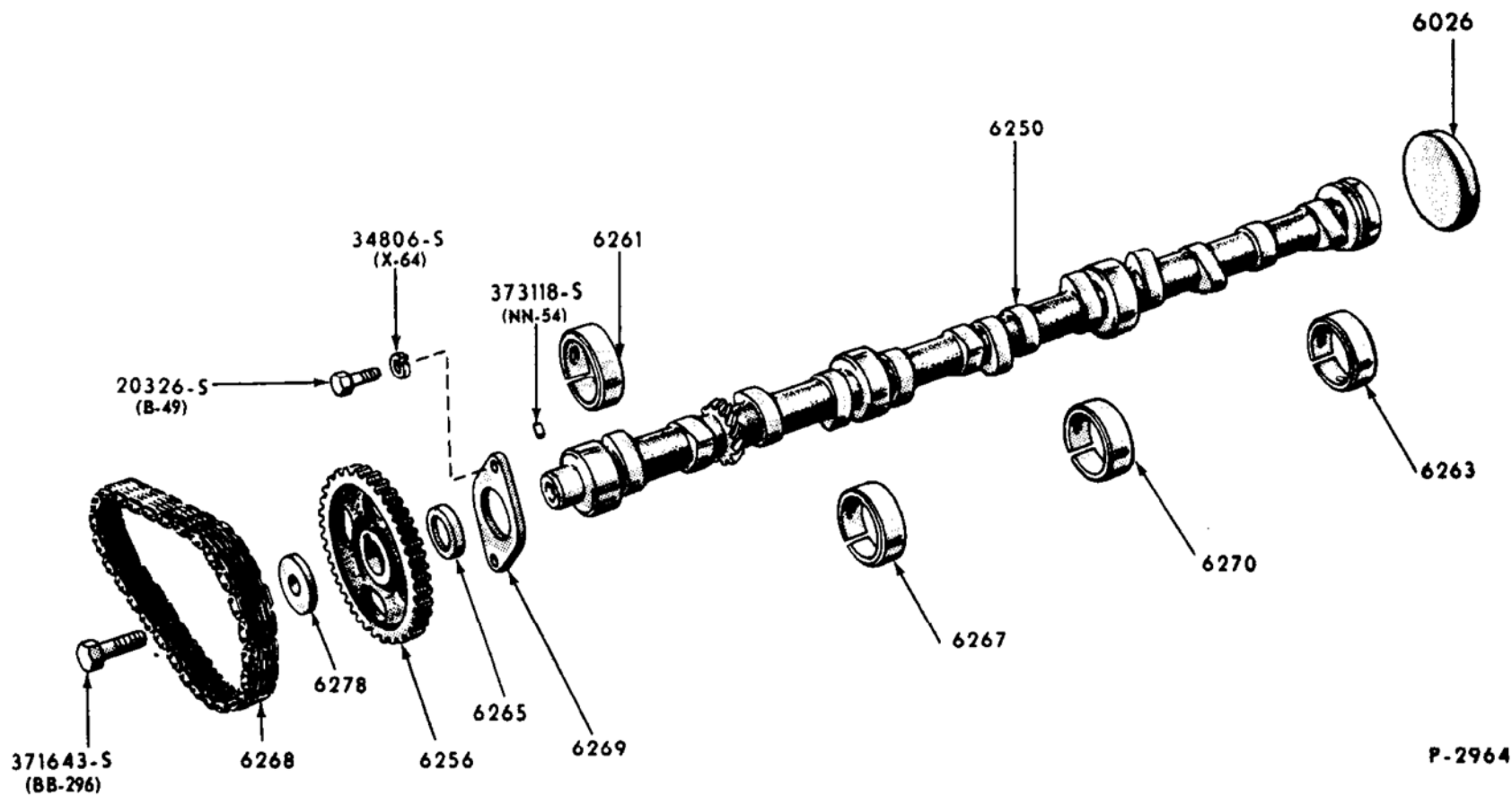


P-2962

**WATER PUMP**  
 1965 / 72 6 CYLINDER 170, 200 AND 250

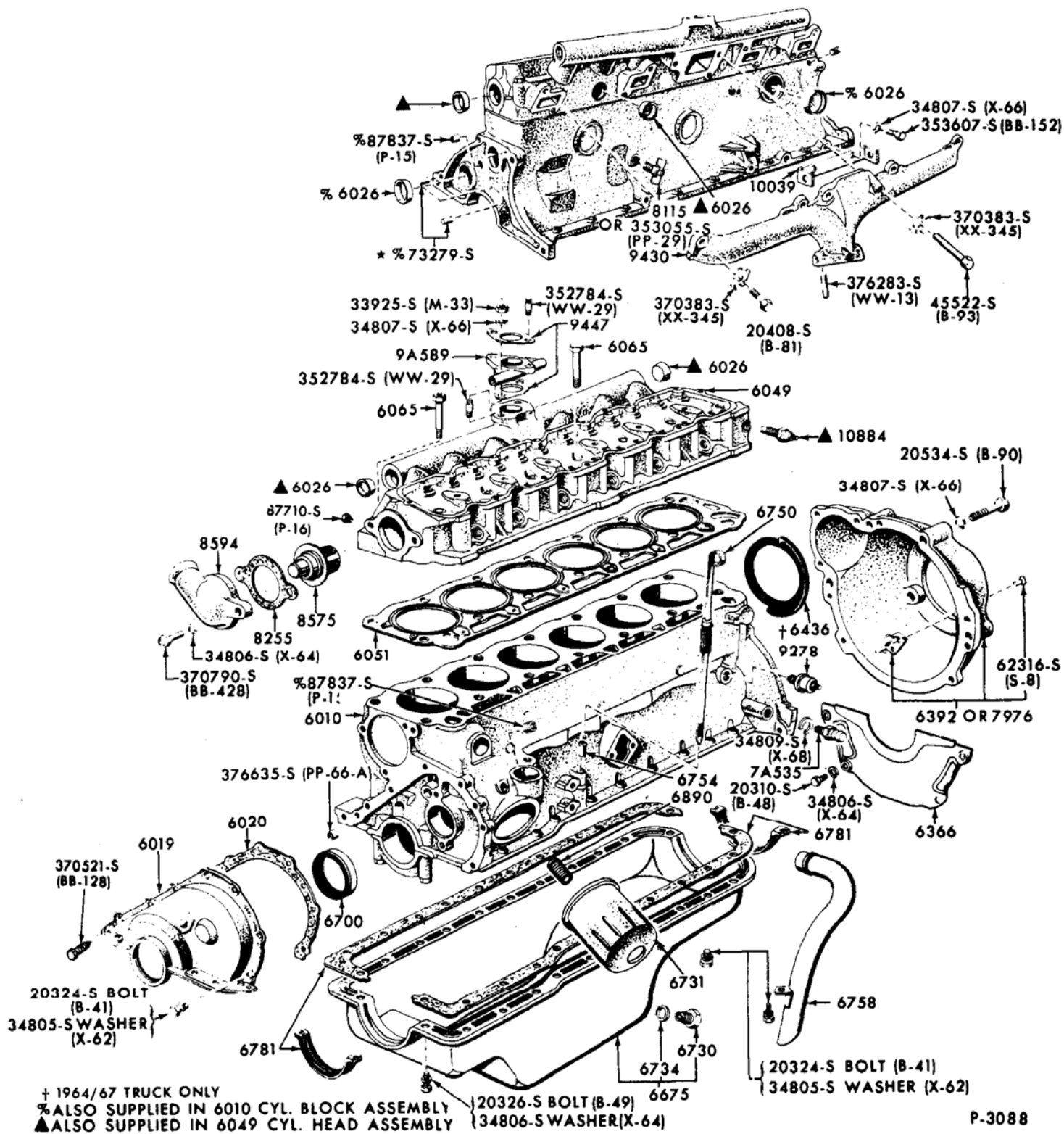


ENGINE OIL PUMP AND RELATED PARTS -- TYPICAL  
1965/72 6 CYLINDER 170, 200 AND 250

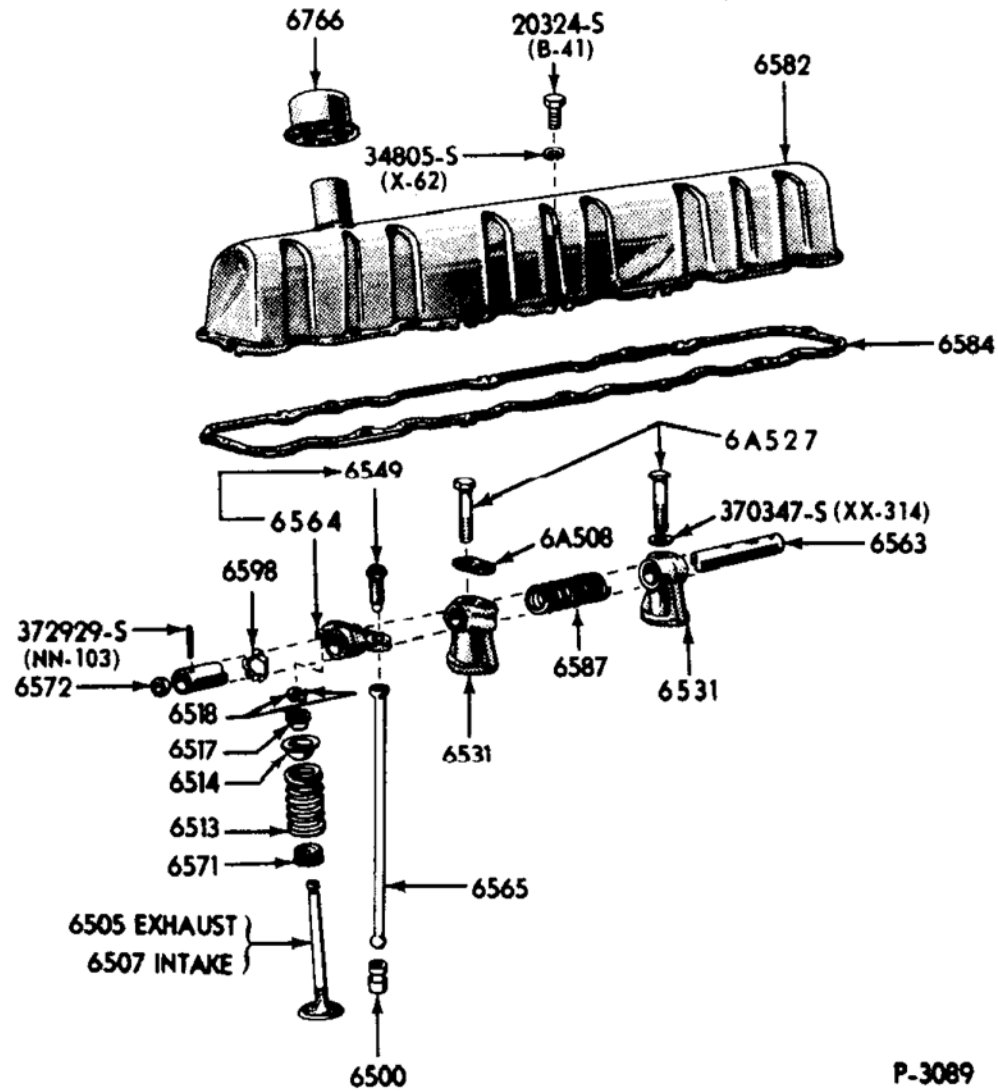


P-2964

ENGINE CAMSHAFT, GEAR, BEARINGS AND RELATED PARTS -- TYPICAL  
 1965 / 72 6 CYLINDER 170, 200 AND 250



**CYLINDER BLOCK AND RELATED PARTS**  
**6 CYLINDER 170, 200 AND 250 ENGINES -- TYPICAL**  
**1965 / 72**



ENGINE VALVES, PUSH RODS, ROCKER ARM COVER AND RELATED PARTS -- TYPICAL  
 1965/72 6 CYLINDER 170, 200 AND 250